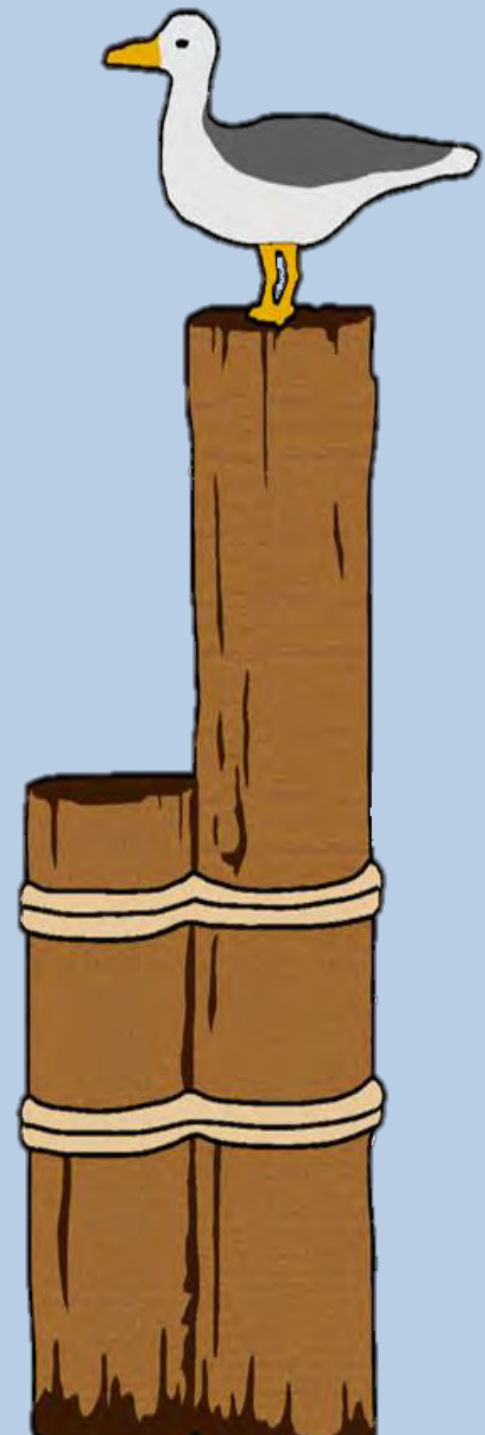


NINIGRET MARINE INC.

**Suppliers of :
Dock Hardware
Marine Construction
Hardware
Specialty Hardware**

**3964 South County Trail
Charlestown, RI, 02813
401-364-0200
www.ninigretmarine.com**



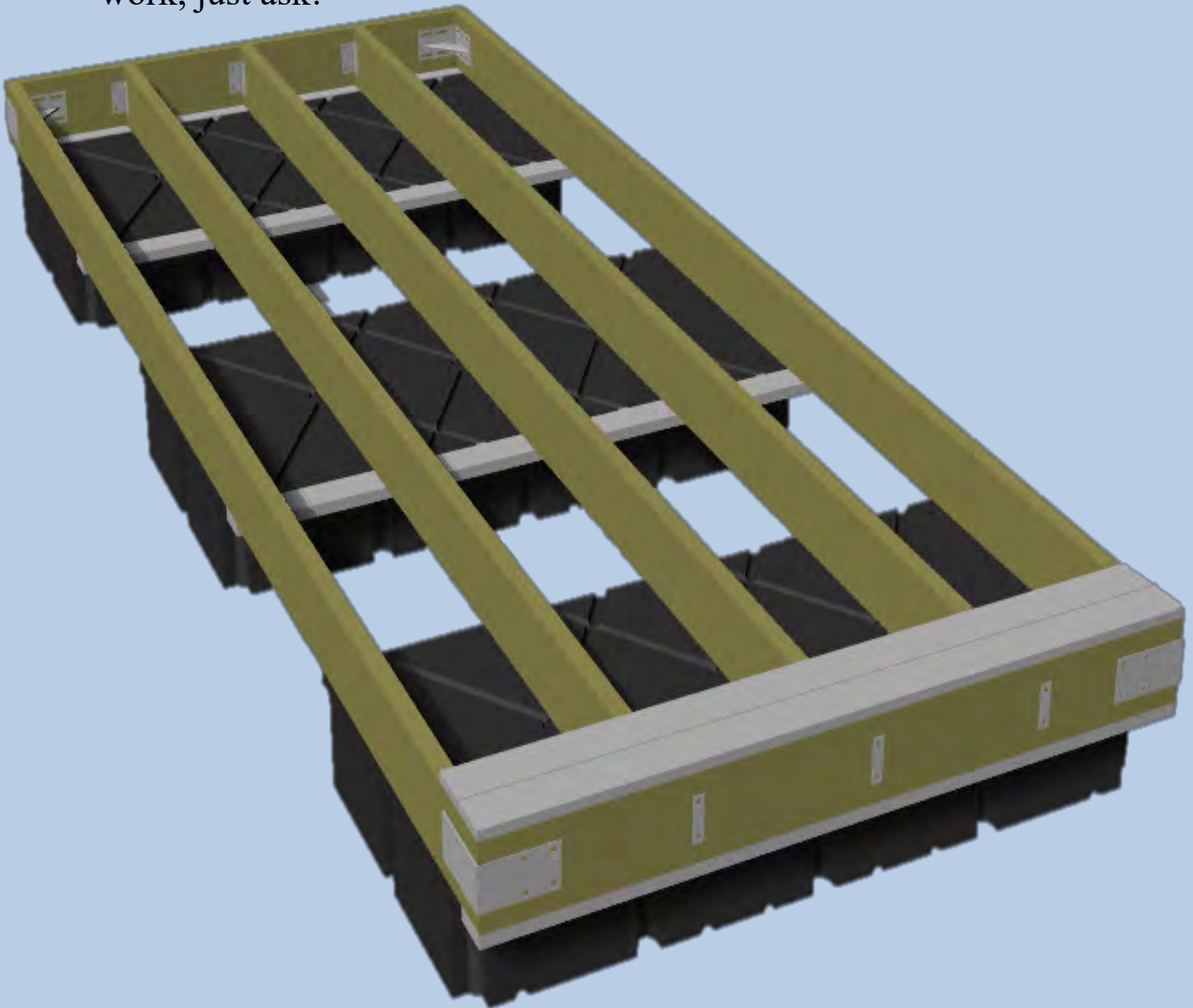
A Little History...

Founded in 1994 by Roy Grinnell and his daughter Lynn, Ninigret Marine started as a small supply company selling marine construction hardware to people within southern Rhode Island. With 40 years of engineering experience, driving piles, and building docks, Roy brought a wealth of knowledge to the business that he passed down to Lynn who worked for him for 20 years. Originally located in Quonset, the company moved to our Charlestown location in 1999 when Roy retired, and Lynn took over. Now, 30 years later, the company continues to grow due to Lynn's hard work and determination. Following in the family footsteps her son Quin works for her learning the business and trade.

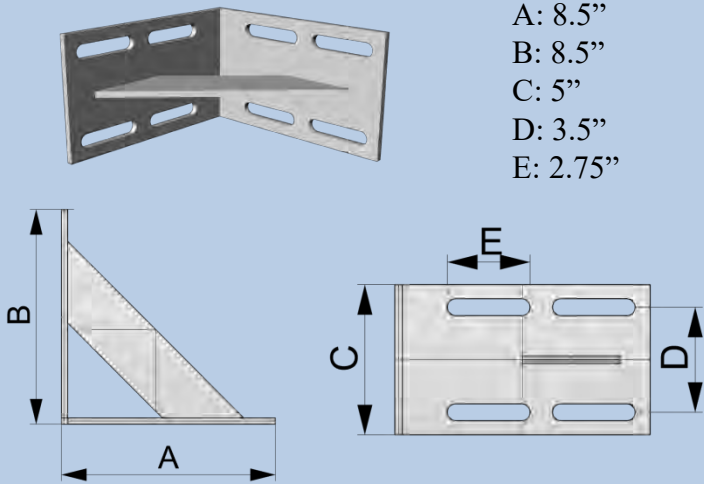
We now proudly supply all of southern New England, from Cape Cod to the Hudson River. We take pride in our ability to serve southern New England with quality cost effective materials and great customer service. Just ask around, our reputation speaks for itself!

Heavy Duty Structural Dock Hardware

We stock ¼" high strength, hot dipped galvanized, carbon steel hardware, to withstand the harshest marine environments. All hardware takes ½" galvanized carriage bolts. We also stock specialized galvanized tie plates, hurricane tie plates, and much more miscellaneous hardware. If you don't see what you are looking for, chances are we have it, can get it, or can make it work, just ask!

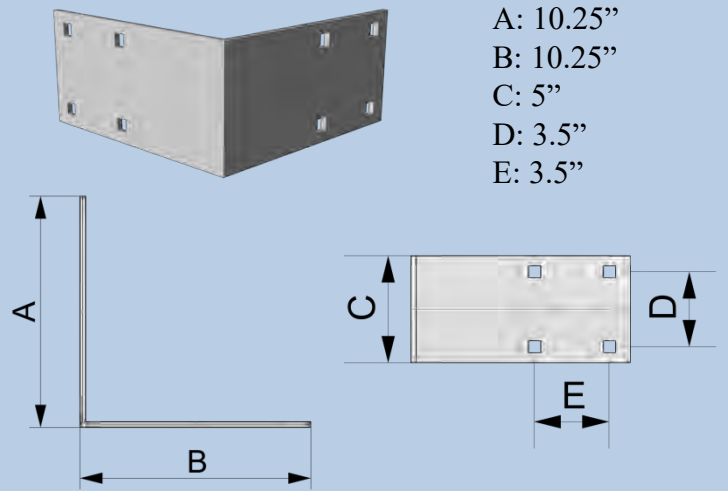


**[WD-IN]
INSIDE CORNER**



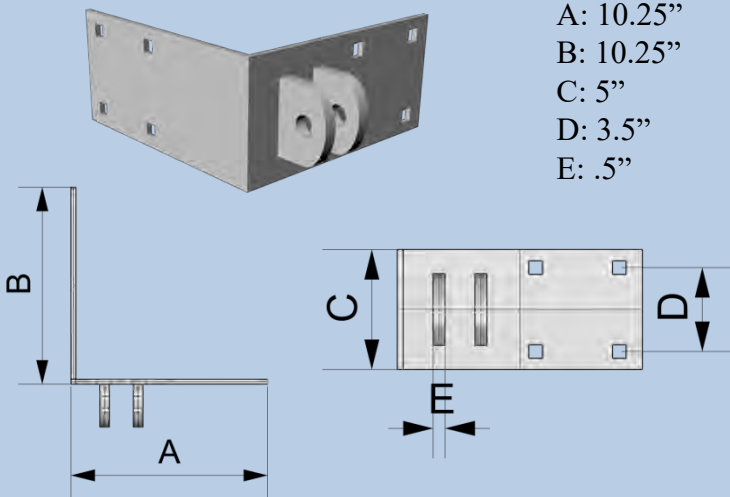
A: 8.5"
B: 8.5"
C: 5"
D: 3.5"
E: 2.75"

**[WD-E]
OUTSIDE CORNER END**



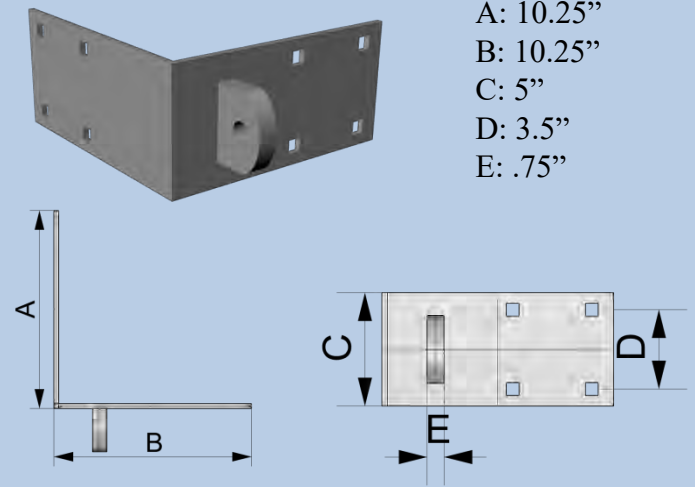
A: 10.25"
B: 10.25"
C: 5"
D: 3.5"
E: 3.5"

**[WD-F]
OUTSIDE CORNER FEMALE**



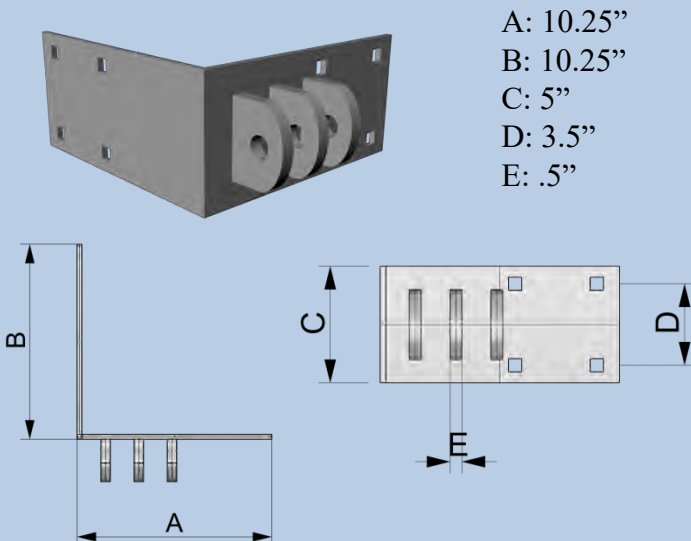
A: 10.25"
B: 10.25"
C: 5"
D: 3.5"
E: .5"

**[WD-M]
OUTSIDE CORNER MALE**



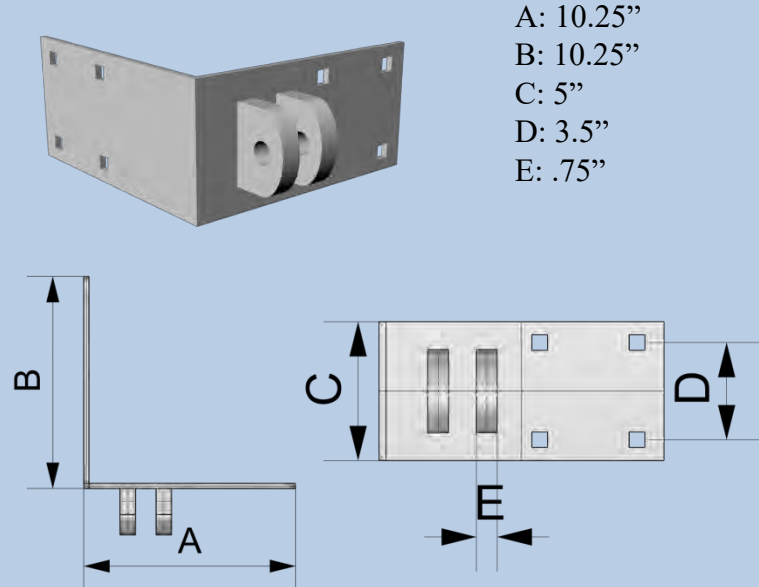
A: 10.25"
B: 10.25"
C: 5"
D: 3.5"
E: .75"

**[WD-HDF]
HEAVY DUTY OUTSIDE CORNER FEMALE**



A: 10.25"
B: 10.25"
C: 5"
D: 3.5"
E: .5"

**[WD-HDM]
HEAVY DUTY OUTSIDE CORNER MALE**

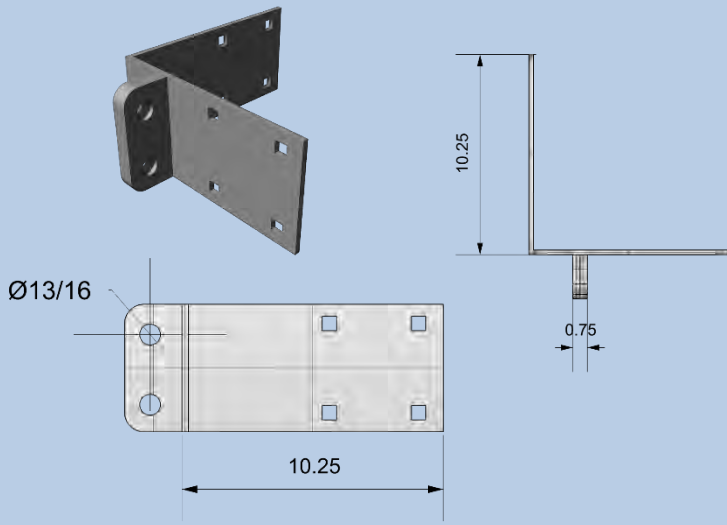


A: 10.25"
B: 10.25"
C: 5"
D: 3.5"
E: .75"

*Dimensions are in inches

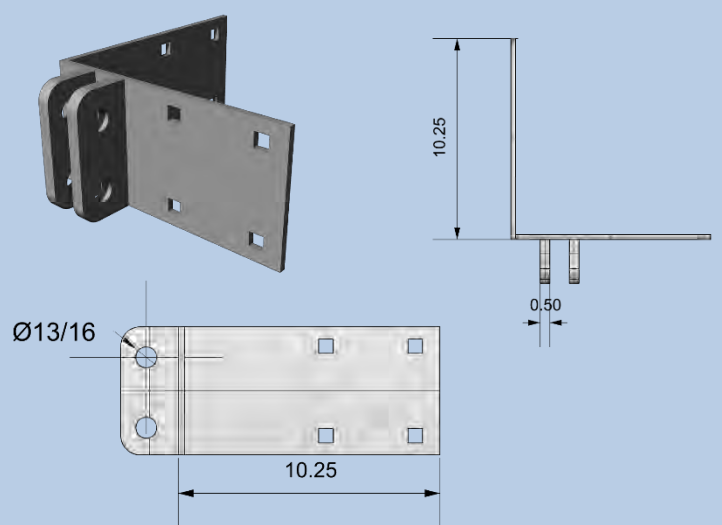
[WD-NAMDP]

NON-ARTICULATING DOUBLE PIN MALE CORNER



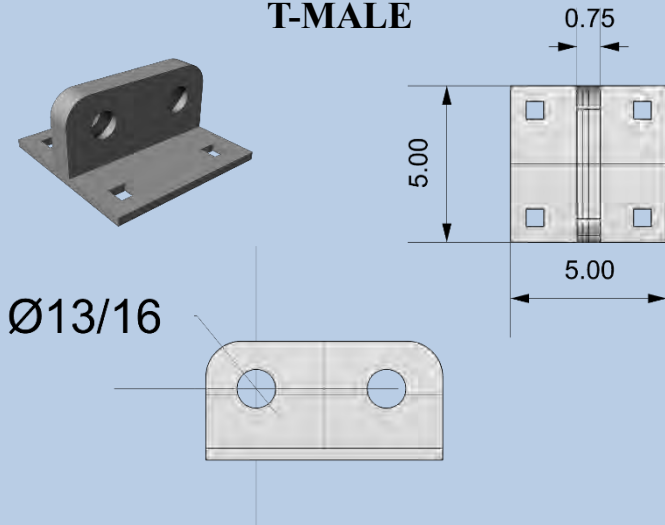
[WD-NAFDP]

NON-ARTICULATING DOUBLE PIN FEMALE CORNER



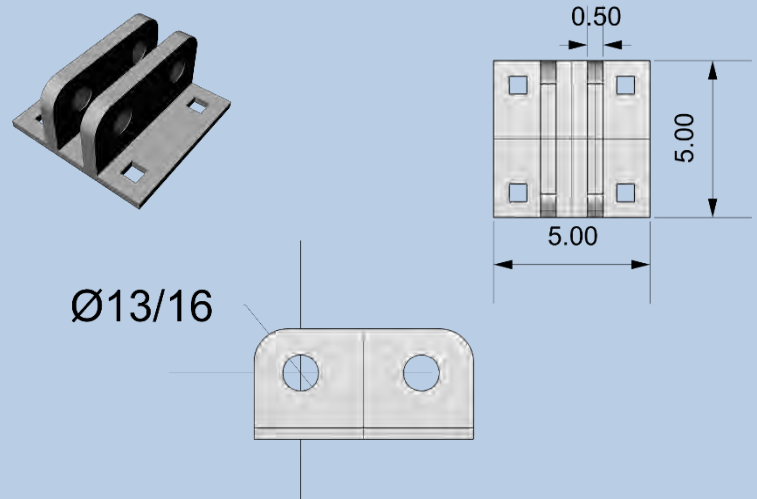
[WD-NATMDP]

NON-ARTICULATING DOUBLE PIN T-MALE



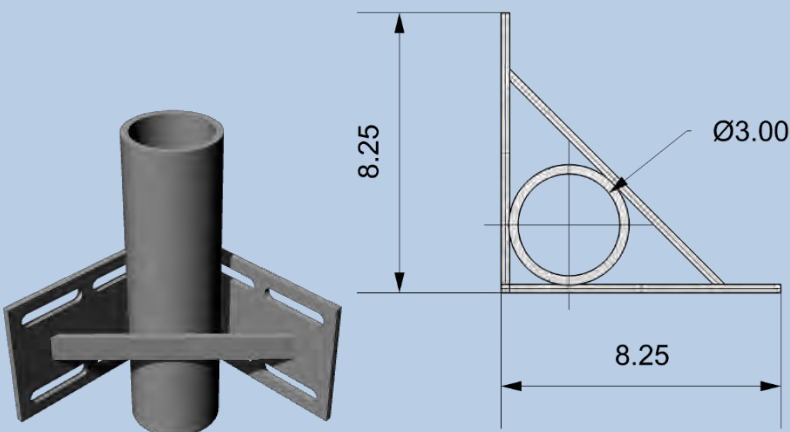
[WD-NATFDP]

NON-ARTICULATING DOUBLE PIN T-FEMALE



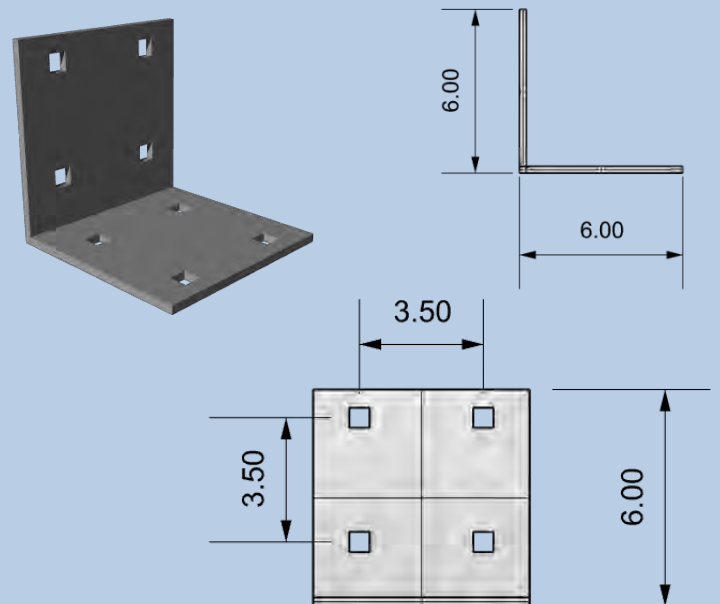
[WD-INPH3]

INSIDE CORNER PIPE HOLDER



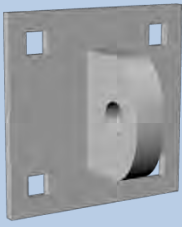
[WD-A66]

6 x 6 ANGLE

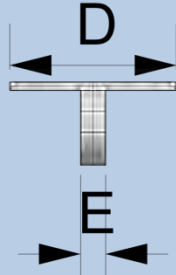
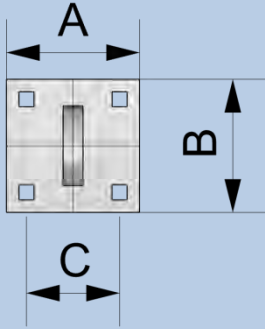


*Dimensions are in inches

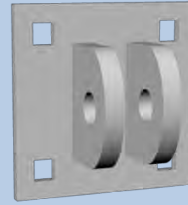
**[WD-TM]
SINGLE "T" MALE**



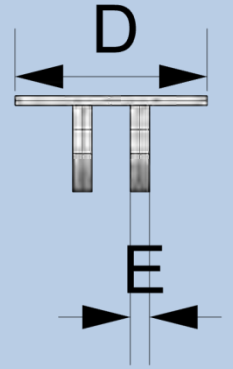
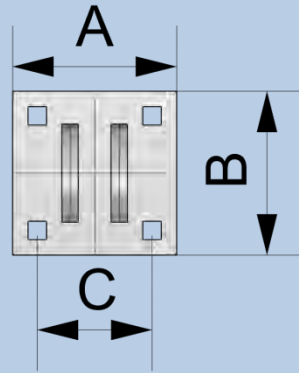
A: 5"
B: 5"
C: 3.5"
D: 5"
E: .75"



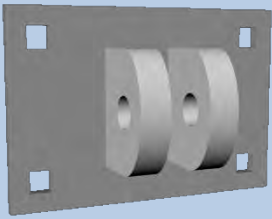
**[WD-TF]
SINGLE "T" FEMALE**



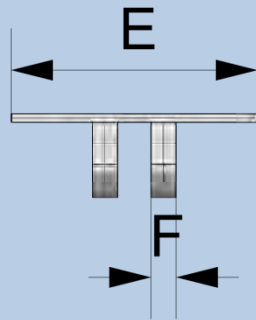
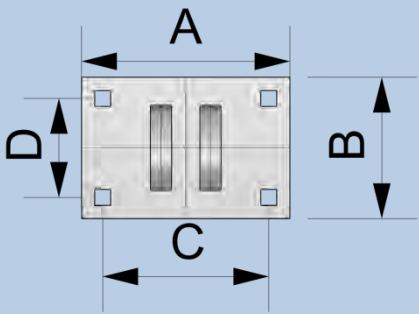
A: 5"
B: 5"
C: 3.5"
D: 5"
E: .5"



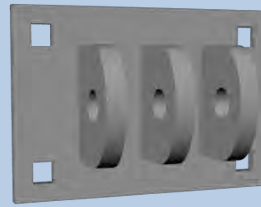
**[WD-HDTM]
HEAVY DUTY "T" MALE**



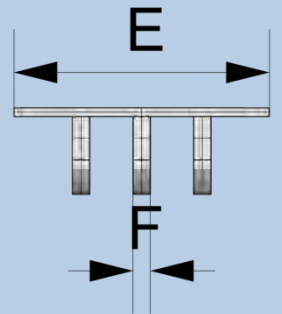
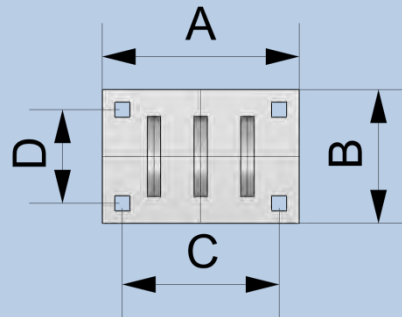
A: 7.375"
B: 5"
C: 5.75"
D: 3.5"
E: 7.375"
F: .75"



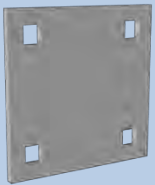
**[WD-HDTF]
HEAVY DUTY "T" FEMALE**



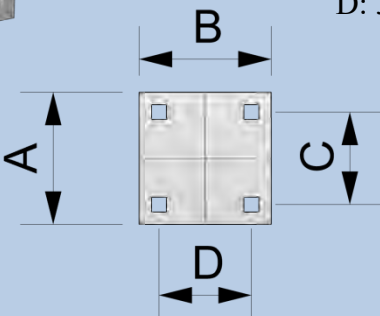
A: 7.375"
B: 5"
C: 5.75"
D: 3.5"
E: 7.375"
F: .5"



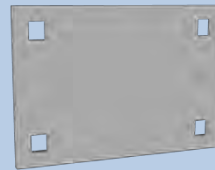
**[WD-B]
BACKER PLATE**



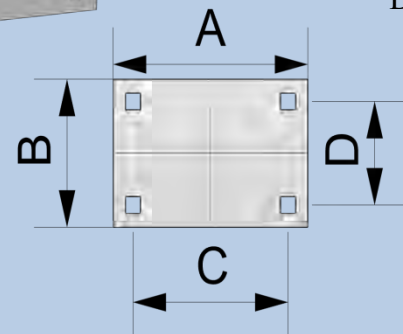
A: 5"
B: 5"
C: 3.5"
D: 3.5"



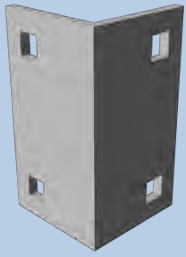
**[WD-HDB]
HEAVY DUTY BACKER PLATE**



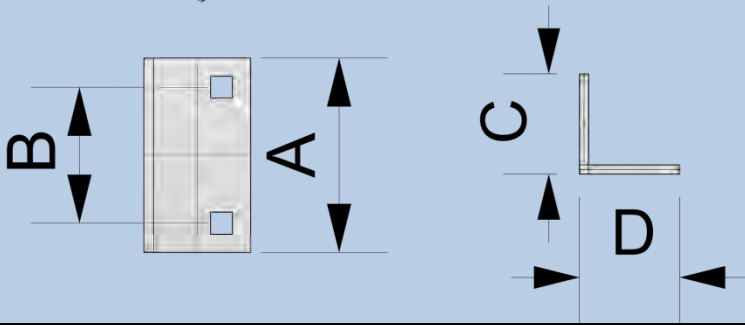
A: 7.375"
B: 5"
C: 5.75"
D: 3.5"



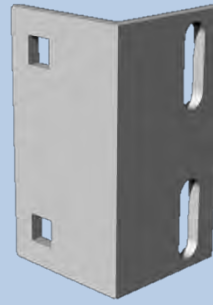
**[WD-A]
SMALL ANGLE**



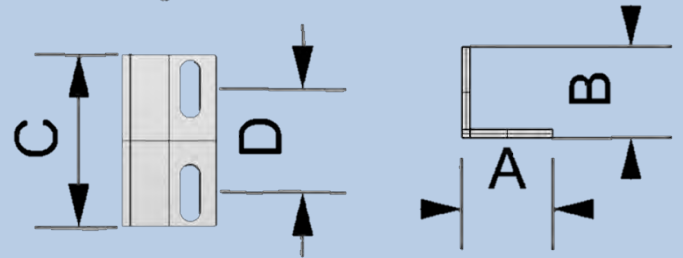
A: 5"
B: 3.5"
C: 2.75"
D: 2.75"



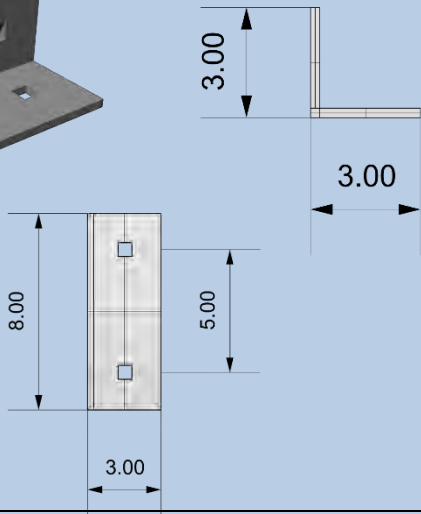
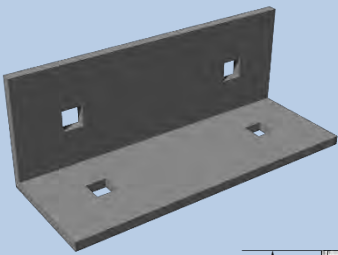
**[WD-CA]
CLEAT ANGLE**



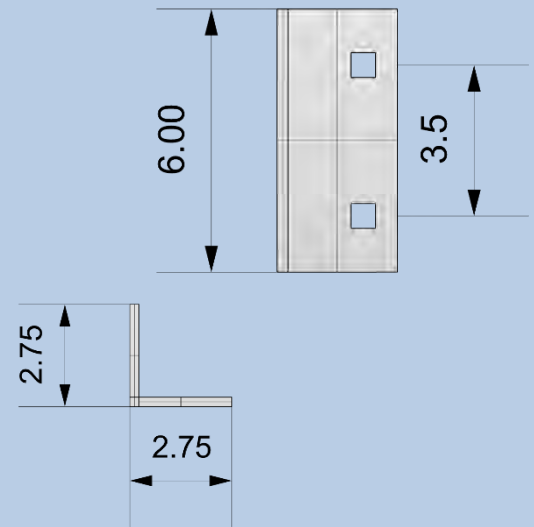
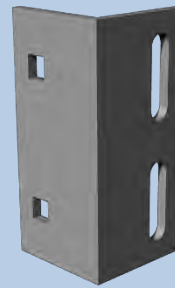
A: 2.75"
B: 2.75"
C: 5"
D: 3.5"



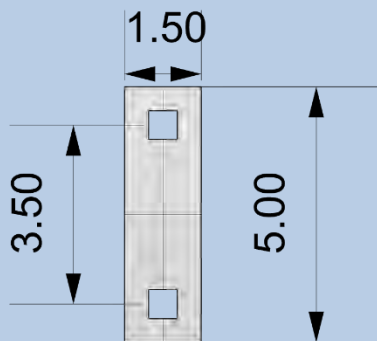
**[WD-A8]
SMALL ANGLE 8"**



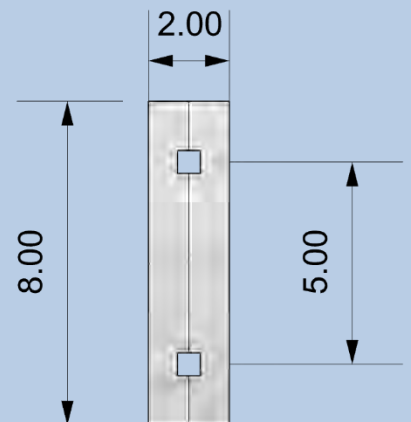
**[WD-CAXL]
XL CLEAT ANGLE**



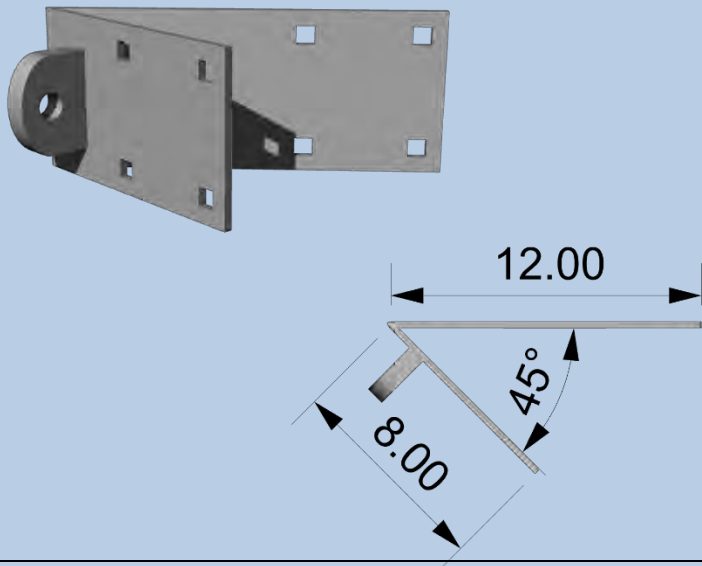
**[WD-W]
WASHER PLATE**



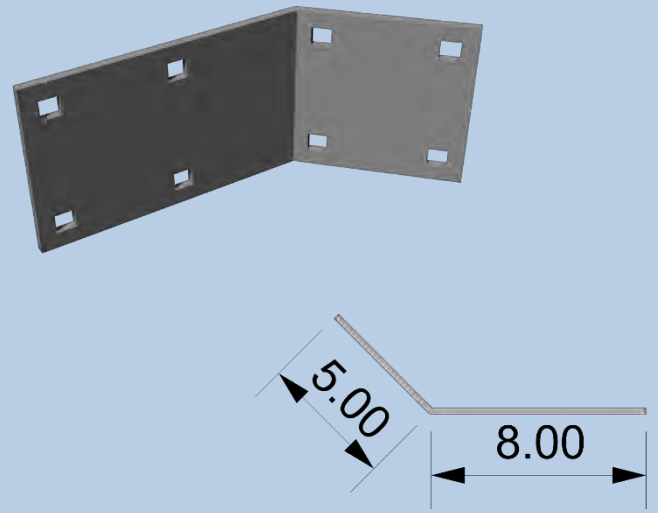
**[WD-W8]
8" WASHER PLATE**



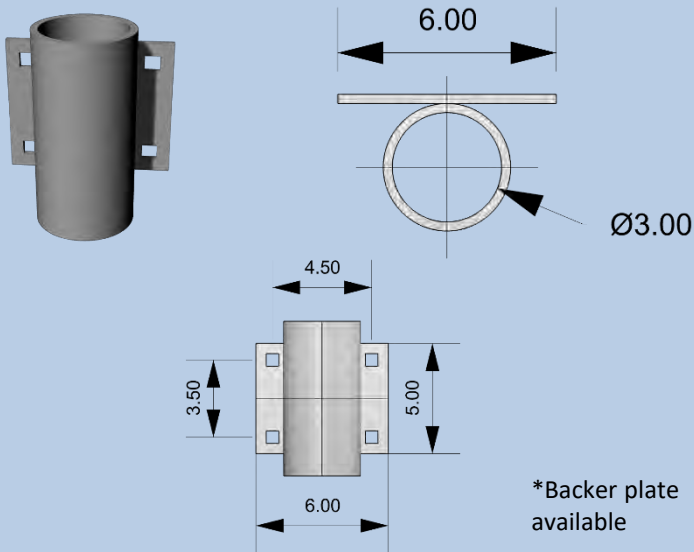
[WD-FDS45]



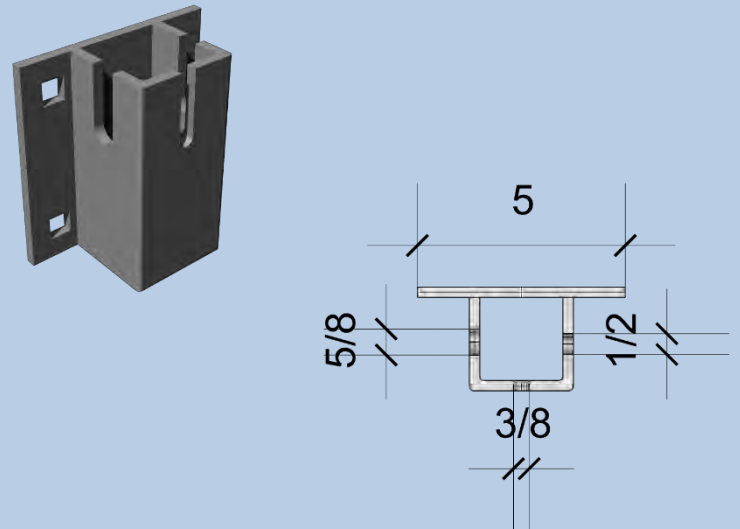
[WD-FDS135]



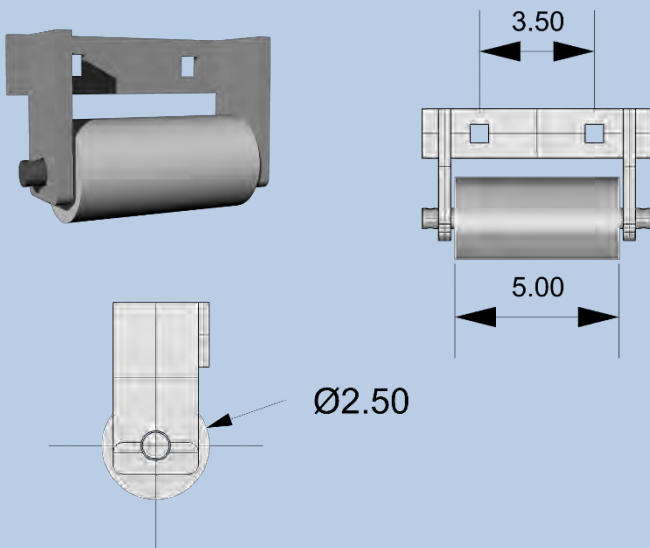
[WD-HOPH3]
OUTSIDE PIPE HOLDER



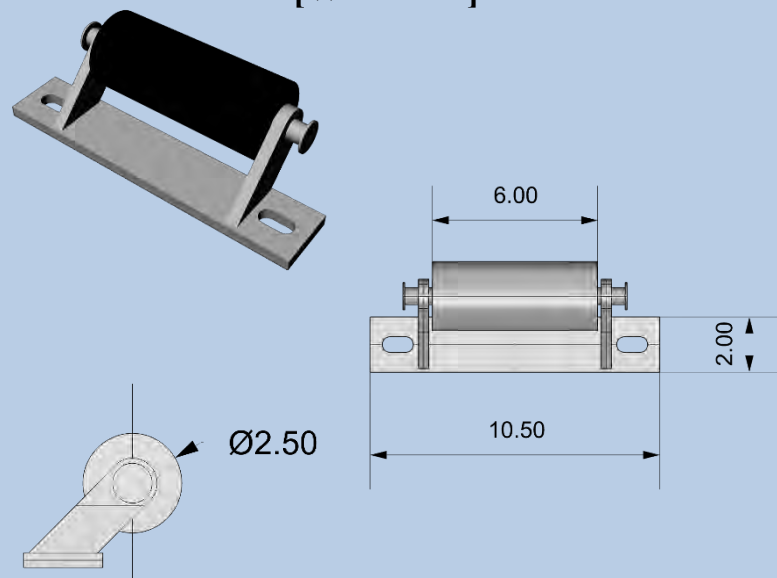
[WD-CR]
CHAIN RETAINER



[WD-BARRB]
RAMP ROLLER



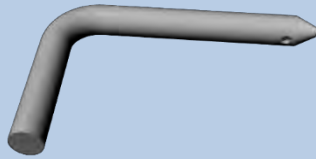
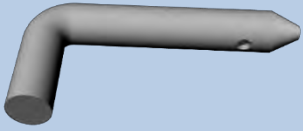
[WD-RPM]



[CONNECTING PINS]

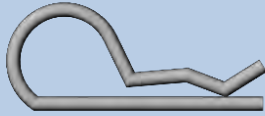
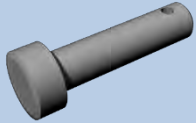
F-PIN34

F-PIN36



WD-CLP

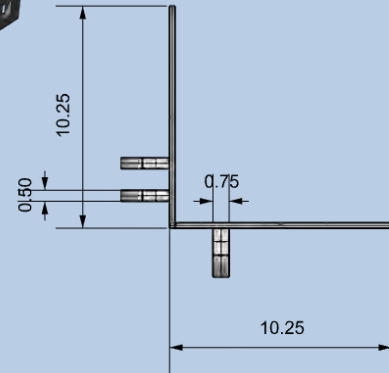
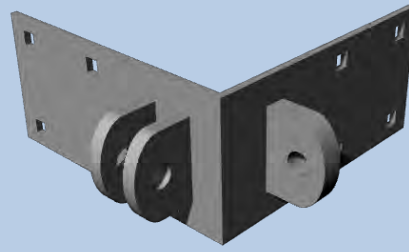
PH-HCLIP



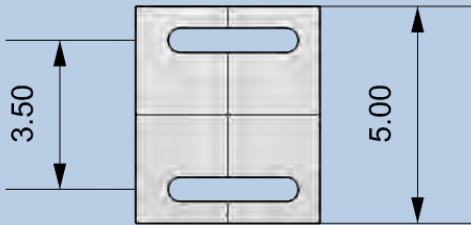
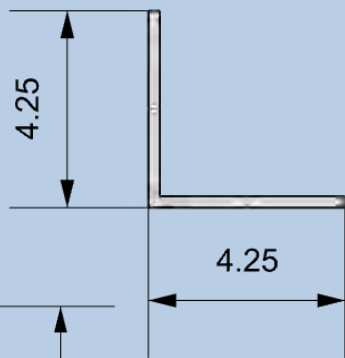
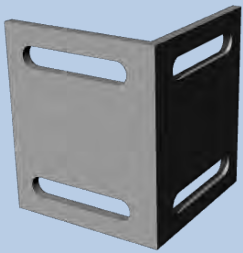
[WD-SMF]

SPECIAL OUTSIDE CORNER MALE/FEMALE

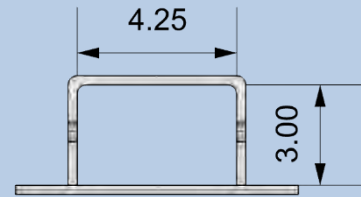
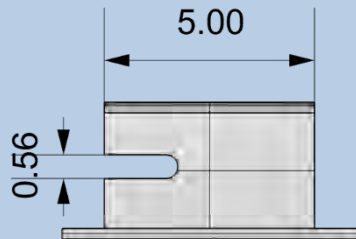
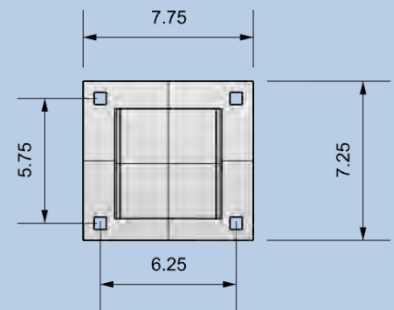
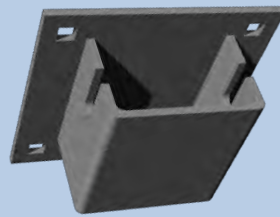
*Available in male/male, female/female, & male/female configurations



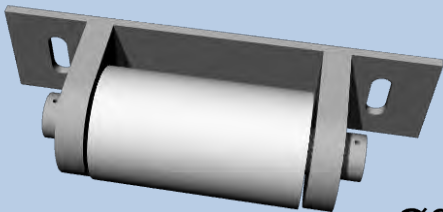
**[WD-INSM]
SMALL INSIDE**



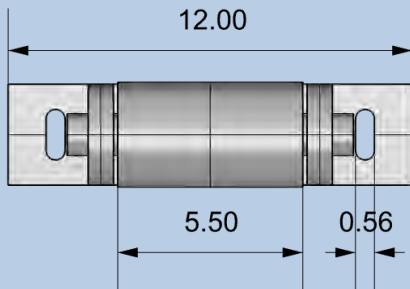
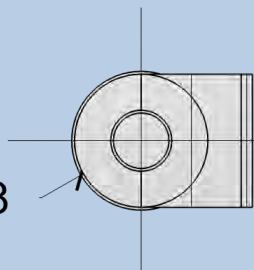
**[WD-CRXL]
XL CHAIN RETAINER**



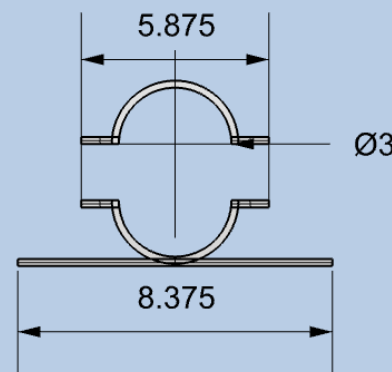
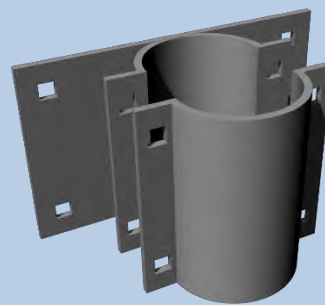
**[WD-RP1]
ROLLER ASSEMBLY**



Ø3 1/8

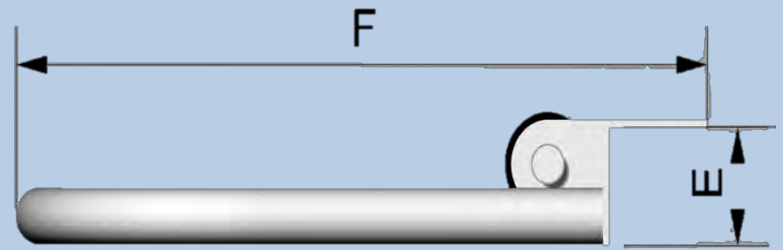
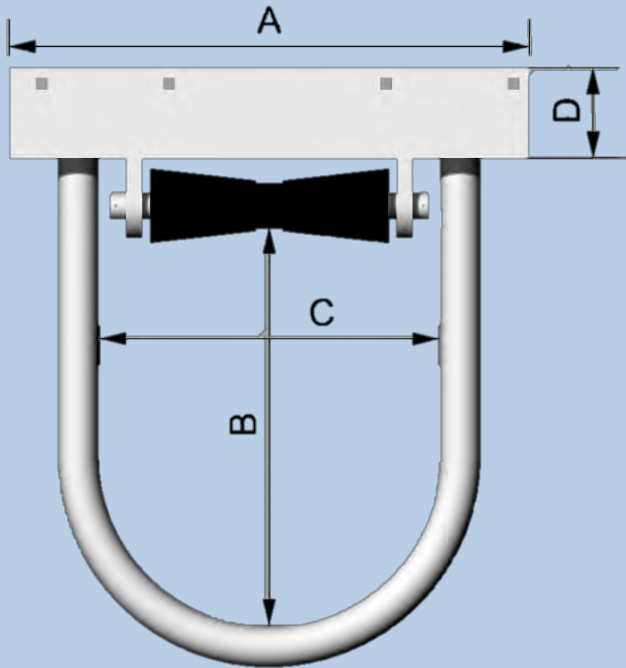


**[WD-PH03S]
SPLIT PIPE HOLDER**



*Light duty takes 3/8" bolts

Pile Hoops



All pile hoops are punched for 1/2" carriage bolts; 4 holes on top and 4 holes on the face, offset to keep the bolts from interfering with each other. Roller pile hoops come standard with a tapered black rubber roller but can be swapped for a UHMW poly roller (not tapered) which does hold up to the elements longer. Hoops are attached to the base with (4) 5/16" stainless bolts for easy removal. Pile hoops are sold as a complete unit but all parts are available for purchase individually due to some parts wearing faster than others. Any questions just ask!

	A	B	C	D	E	F
PH-H10R	18 1/2"	10 5/8"	10 5/8"	4 1/4"	4 1/4"	19 3/4"
PH-H12R	20 1/2"	13 3/4"	12 1/2"	4 1/4"	4 1/4"	23 1/4"
PH-H14R	22 1/2"	15 1/2"	14 1/2"	4 1/4"	4 1/4"	25"
PH-H16R	24 1/2"	19 3/4"	16 1/2"	4 1/4"	4 1/4"	26 3/4"
PH-H18R	26 1/2"	19 3/4"	18 1/2"	4 1/4"	4 1/4"	29 1/2"

PH-C (CHAIN HOOP)

Chain hoops come in one standard size. The angle bracket is 20.5" x 4" x 4" and 14" between the shackles. The chain is 3/8" x 44" inches. The bracket takes 1/2" carriage bolts.

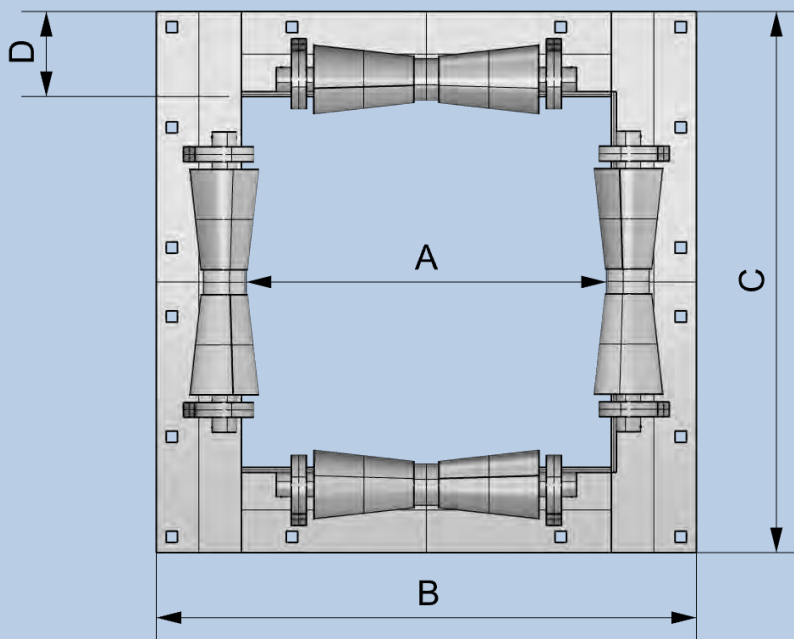


PH-RD (RUBBER DONUT)

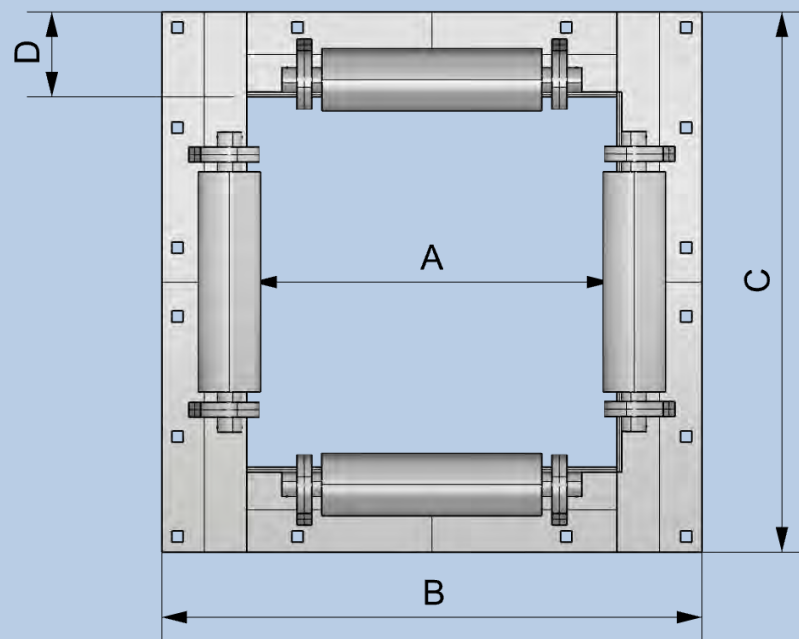
Rubber donuts are cut from old tires. We use them on pile hoops to tighten up the space between the hoop and pile if you have a lot of slop. They also can help reduce pile wear. The hole is 2" I.D x 5" O.D and comes in various thicknesses.



INTERNAL SQUARE PILE GUIDES



*PH-SR14 & PH-SR18

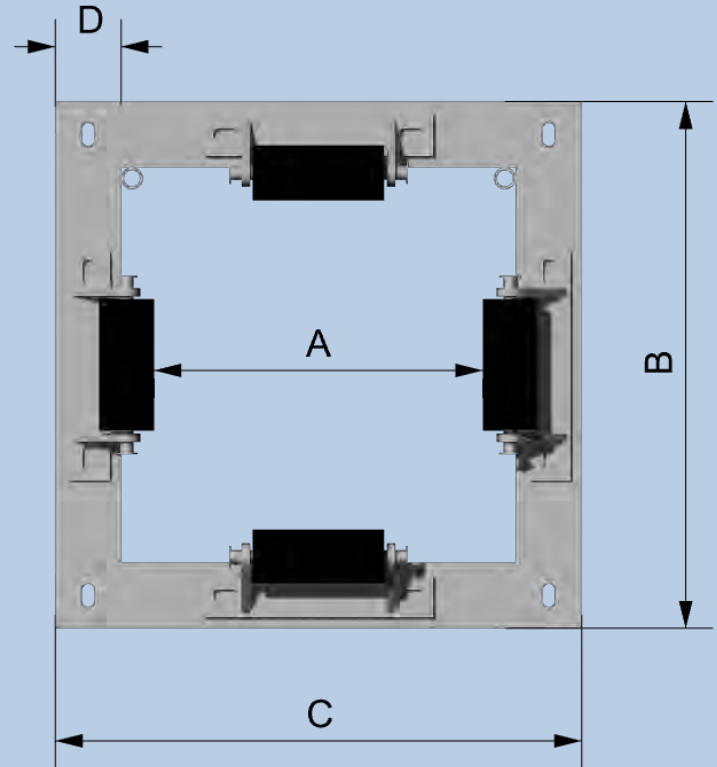
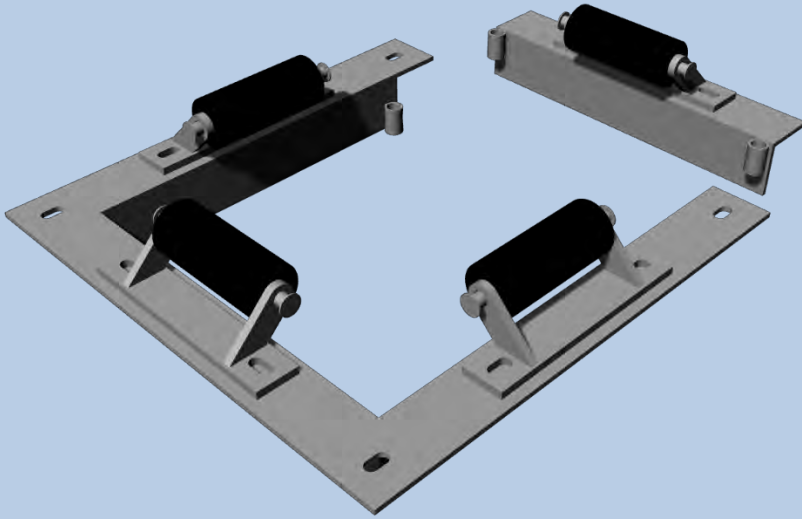


*PH-SRP12 & PH-SRP16

	A	B	C	D
PH-SRP12	13"	21.5"	21.5"	4.25"
PH-SR14	14"	21.5"	21.5"	4.25"
PH-SRP16	17.5"	27"	27"	4.25"
PH-SP18	18.5"	27"	27"	4.25"

INTERNAL SQUARE PILE GUIDES

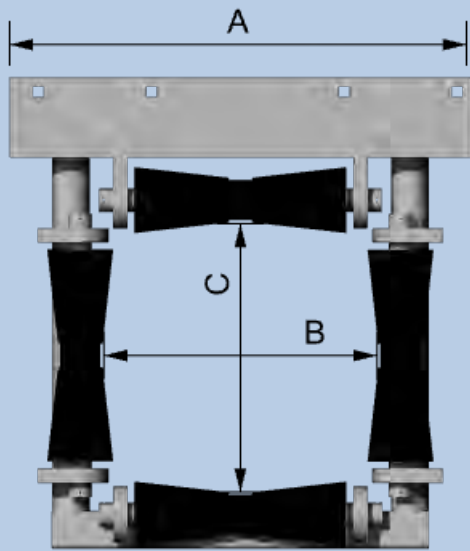
These square pile guides come fixed or with a removable side. The removable side is available so docks can have internal pile guides while giving them the option to be removed or floated into place after piles are driven. The guide frame is 3" x 3" x 1/4" hdg angle iron and punched for 1/2" hdg fasteners. Call with any questions.



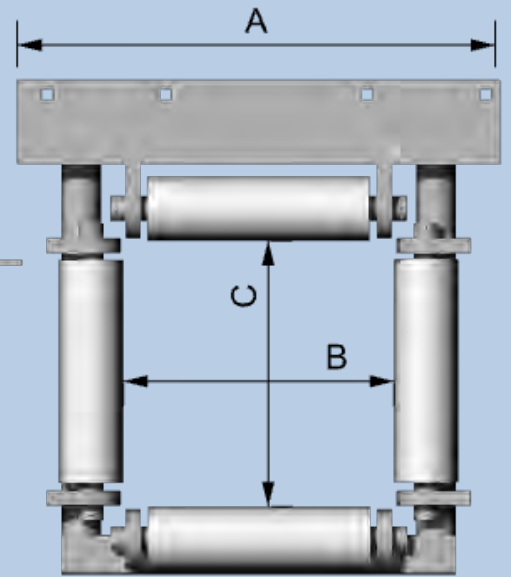
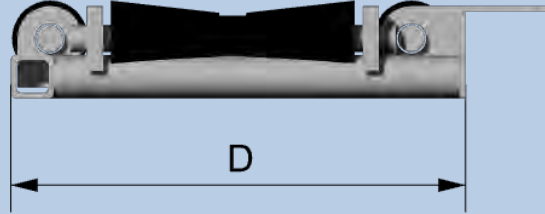
	A	B	C	D
PH-HP12INR	12"	21"	21"	3"
PH-HP15INR	15"	24"	24"	3"
PH-HP18INR	18"	27"	27"	3"

*Dimensions are in inches

EXTERNAL SQUARE PILE GUIDES



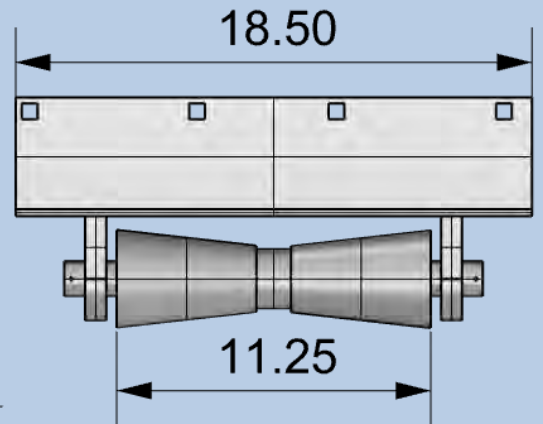
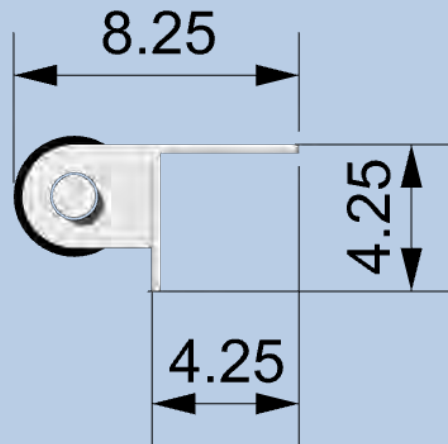
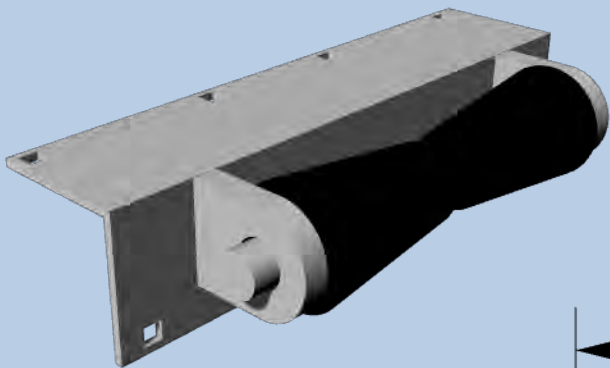
*PH-SR14 & PH-SR16



*PH-SRP14 & PH-SRP16

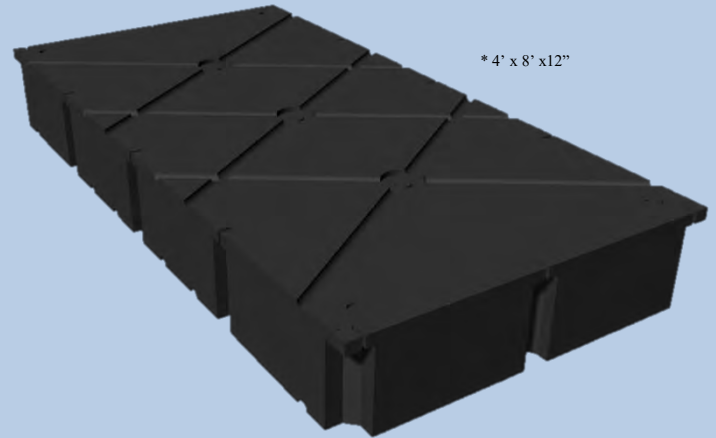
	A	B	C	D
PH-SR14	24.5"	14"	14"	20.75"
PH-SRP14	24.5"	13"	13"	20.75"
PH-SR16	26.5"	16"	16"	22"
PH-SRP16	26.5"	15"	15"	22"

WDRH10R



Permafloats

STOCKED SIZES			
CODE	DIMENSIONS	WEIGHT (#)	BUOYANCY
F2448-08	2' x 4' x 8"	31	287
F3648-08	3' x 4' x 8"	32	471
F2072-08	20" x 6' x 8"	32	376
F2072-10	20" x 6' x 10"	34	450
F2096-10	20" x 8' x 10"	40	595
F1248-12	1' x 4' x 12"	17	203
F2436-12	2' x 3' x 12"	24	327
F2448-12	2' x 4' x 12"	31	434
F3648-12	3' x 4' x 12"	44	691
F3672-12	3' x 6' x 12"	65	1059
F3696-12	3' x 8' x 12"	81	1414
F4848-12	4' x 4' x 12"	53	937
F4860-12	4' x 5' x 12"	63	1190
F4872-12	4' x 6' x 12"	83	1406
F4896-12	4' x 8' x 12"	110	1834
F2436-16	2' x 3' x 16"	28	442
F2448-16	2' x 4' x 16"	37	598
F3648-16	3' x 4' x 16"	51	905
F3672-16	3' x 6' x 16"	72	1359
F3696-16	3' x 8' x 16"	94	1822
F4848-16	4' x 4' x 16"	67	1220
F4860-16	4' x 5' x 16"	80	1552
F4872-16	4' x 6' x 16"	96	1863
F4896-16	4' x 8' x 16"	130	2475



ADDITIONAL SIZES AVAILABLE *SPECIAL ORDER ONLY DEPOSIT REQUIRED*			
CODE	DIMENSIONS	WEIGHT (#)	BUOYANCY
F1248-20	1' x 4' x 20"	27	345
F2436-20	2' x 3' x 20"	32	524
F2448-18	2' x 4' x 18"	38	642
F2448-20	2' x 4' x 20"	43	719
F2448-24	2' x 4' x 24"	46	867
F4272-16	42" x 6' x 16"	84	1627
F3648-20	3' x 4' x 20"	59	1114
F3648-24	3' x 4' x 24"	67	1346
F3672-20	3' x 6' x 20"	84	1727
F3672-24	3' x 6' x 24"	96	2090
F3672-32	3' x 6' x 32"	107	2575
F3696-20	3' x 8' x 20"	114	2298
F3696-24	3' x 8' x 24"	127	2687
F4848-20	4' x 4' x 20"	77	1520
F4848-24	4' x 4' x 24"	88	1799
F4860-20	4' x 5' x 20"	87	1900
F4860-24	4' x 5' x 24"	98	2300
F4872-20	4' x 6' x 20"	112	2280
F4872-24	4' x 6' x 24"	126	2702
F4872-32	4' x 6' x 32"	166	3560
F4896-20	4' x 8' x 20"	144	3076
F4896-24	4' x 8' x 24"	164	3618
F4896-32	4' x 8' x 32"	227	4804

- 15 YEAR WARRANTY
- SEAMLESS ROTATIONALLY MOLDED SHELL
- .15" NOMINAL WALL THICKNESS
- EPS FOAM FILLED
- ACOE APPROVED
- TANK TESTED BUOYANCY RATINGS +/-5%
- *FREE DELIVERY AVAILABLE*

*Wave attenuator floats are also available. They come filled and unfilled with fastening locations on the top and bottom. Marine lift tanks are also available. Ask for details.

*Dimensions are in inches

PIPE

We sell galvanized, schedule 40, 2" pipe. Pipe is measured by the I.D. (inside diameter). It comes standard in 21' lengths. We will sell half pieces if you want. We will cut any length you want but you have to buy the entire 21' length. We also have 2" pipe point augers that help with installation in the right conditions. We have trim caps available too. Call with any questions and for pricing.

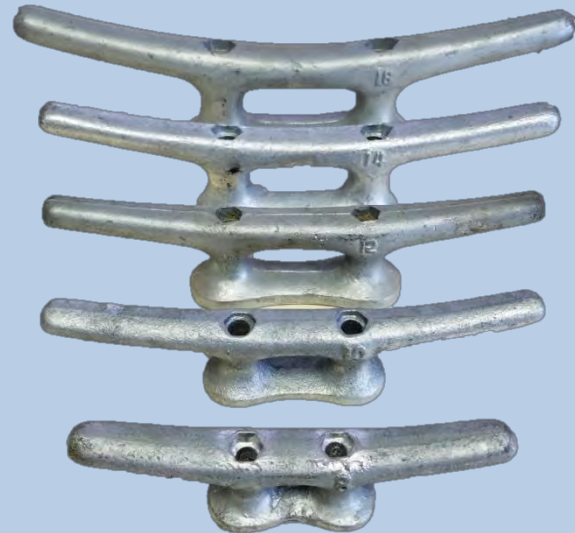


PP2



CLEATS

CODE	DESCRIPTION	BOLT SIZE	WT[LBS.]
C-08	8" steel cleat	5/16"	1.5#
C-10	10" steel cleat	3/8"	2.25#
C-12	12" steel cleat	3/8"	3.5#
C-14	14" steel cleat	1/2"	5.88#
C-18	18" steel cleat	5/8"	



SHIPS CLEATS

CODE	DESCRIPTION	BOLT SIZE	WT[LBS.]
C-08HD	8" ships cleat	1/2"	3.25#
C-10HD	10" ships cleat	1/2"	5.5#
C-12HD	12" ships cleat	5/8"	10#
C-15HD	15" ships cleat	3/4"	
C-18HD	18" ships cleat	3/4"	20.5#



*Dimensions are in inches

LADDERS

Our dock ladders are manufactured by A1A dock products. They come fully welded constructed out of marine grade aluminum. Ideal for entering and exiting the water from your dock. There are a few different styles, each with their pros and cons. Each style comes with standard 1.5” wide steps or a wide step which is 3.5” wide. 500lb capacity.

Straight Ladder



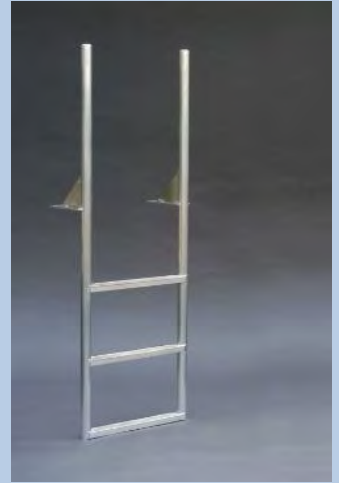
Short Base Lift Ladder



Swing Up Ladder



Finger Pier Ladder



**Quick Release Brackets
(L-QR)**



*Quick release brackets are designed to allow quick removal and attachment of any ladder. They are mounted on the dock then the ladders are mounted to the release brackets using two pins. Ideal for people who want to store their ladder during the off season.

LADDERS

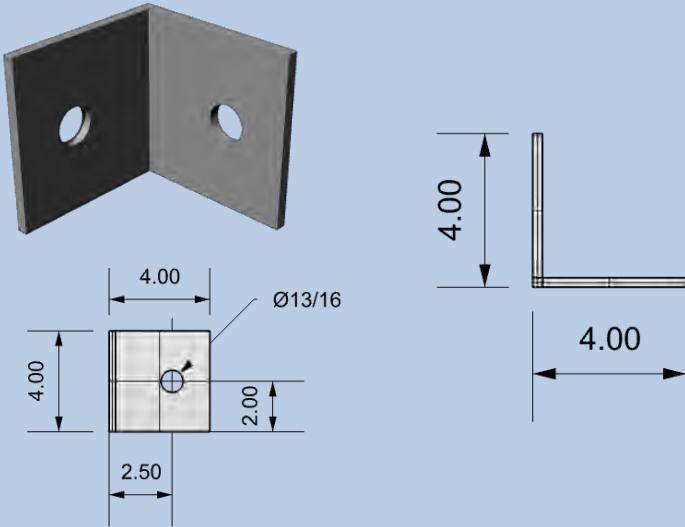
Straight	Short Base Lift	Swing Up	Finger Pier
L-AST3		L-ASW3	L-FP3
L-AST3W		L-ASW3W	L-FP3W
L-AST4	L-SBL4	L-ASW4	L-FP4
L-AST4W	L-SBL4W	L-ASW4W	L-FP4W
L-AST5	L-SBL5	L-ASW5	L-FP5
L-AST5W	L-SBL5W	L-ASW5W	L-FP5W
L-AST6	L-SBL6	L-ASW6	L-FP6
L-AST6W	L-SBL6W	L-ASW6W	L-FP6W
L-AST7	L-SBL7	L-ASW7	L-FP7
L-AST7W	L-SBL7W	L-ASW7W	L-FP7W

*The table lists all the ladders we have available. Custom made ladders can be made but are expensive and come with a long lead time. Each step is 12” apart. The W at the end of some codes differentiates between wide step and normal. Any questions just call.

TIE ANGLES & TIE PLATES

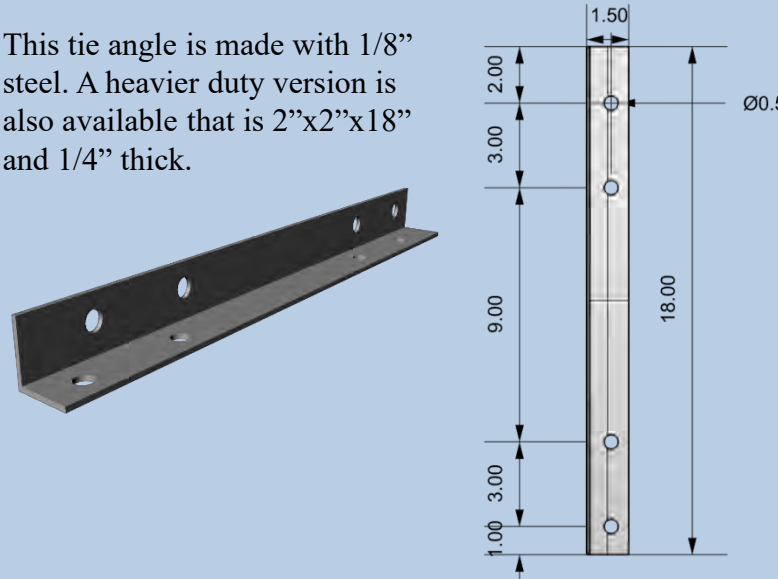
We stock a variety of different size tie angles and tie plates. All are hot dipped galvanized. If we don't have what you need, we can get anything made given enough lead time. Any questions give us a call.

TiangleSmll

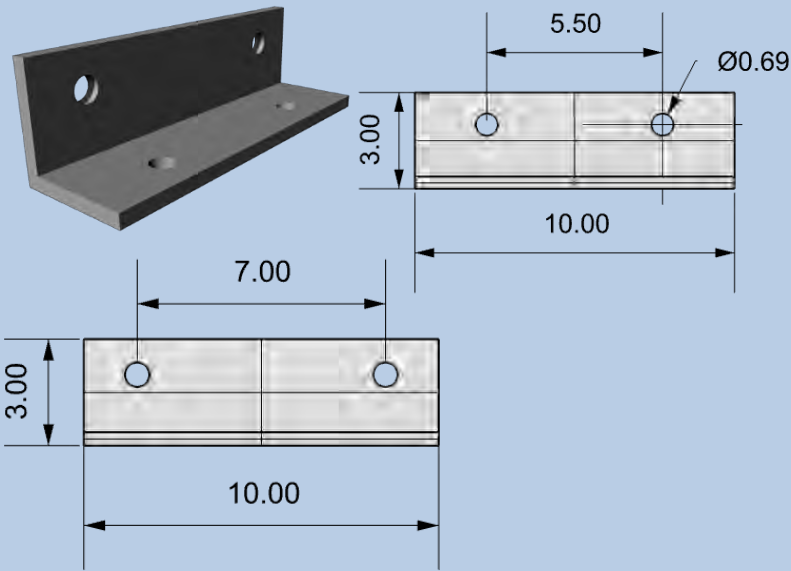


Tiedown18

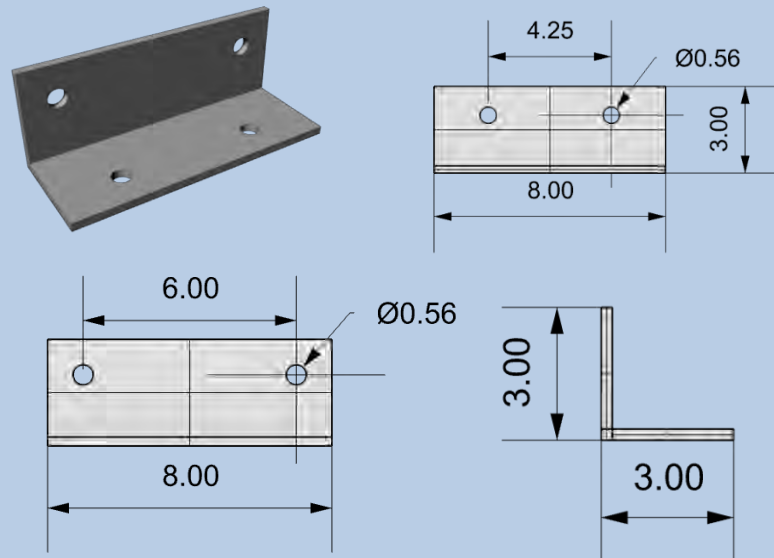
This tie angle is made with 1/8" steel. A heavier duty version is also available that is 2"x2"x18" and 1/4" thick.



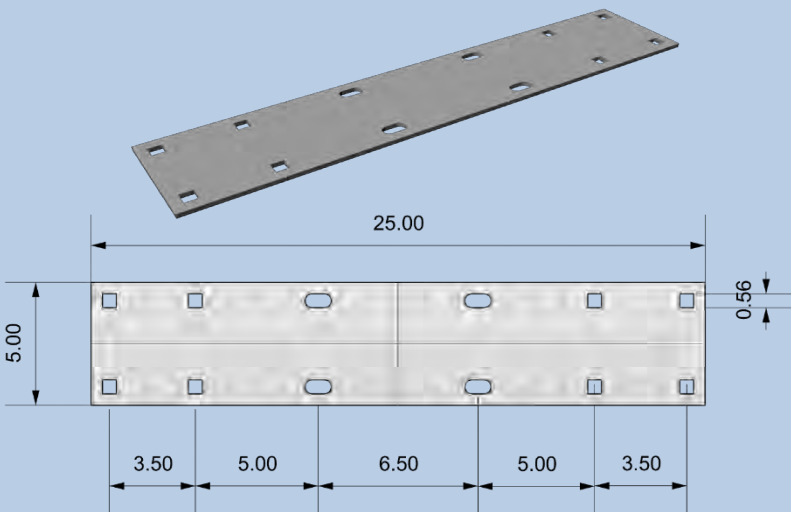
Tiangle18



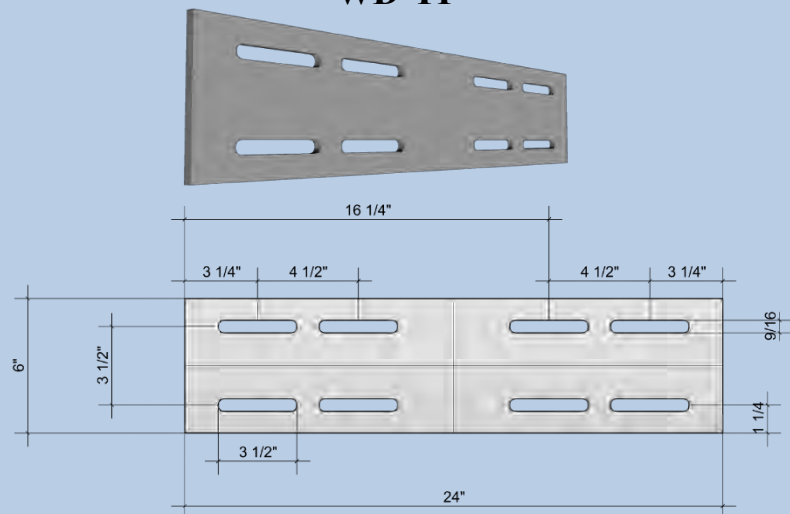
Tiangle14



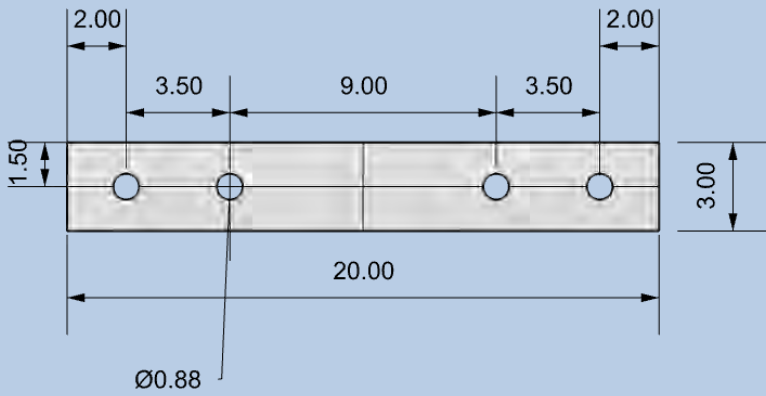
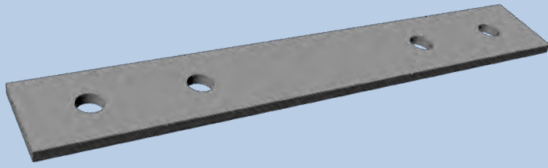
WD-SPM



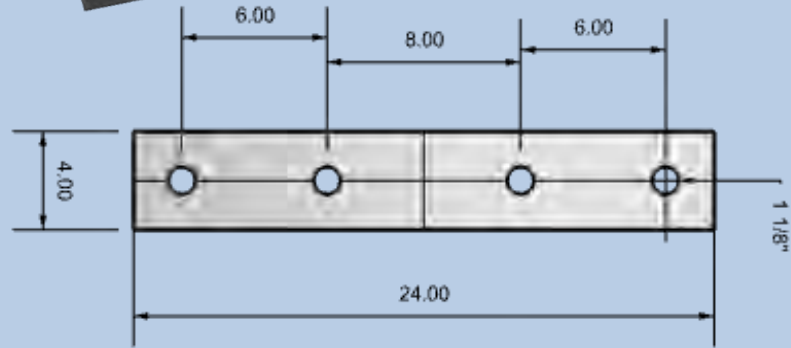
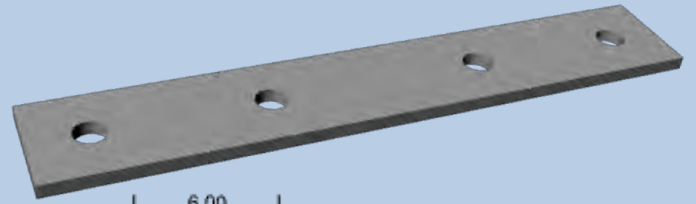
WD-TP



TIEPLATE 3/8x3x20

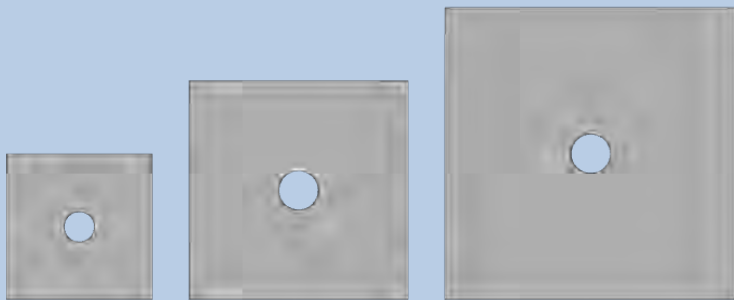


TIEPLATE 1/2x4x24

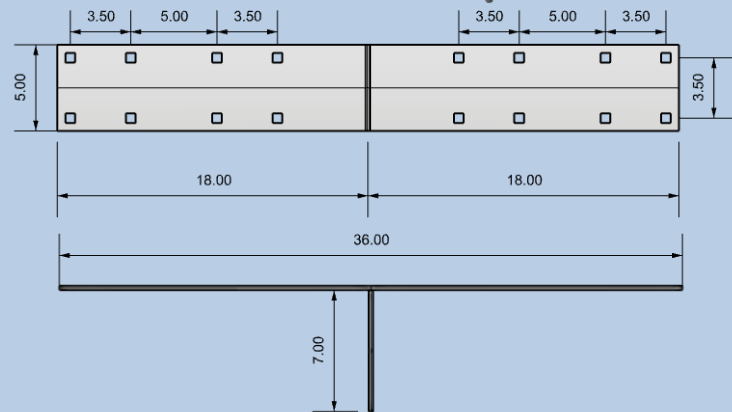
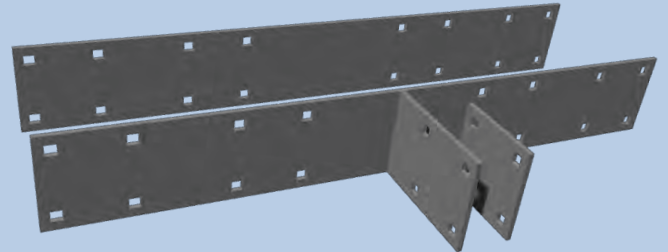


TIE PLATES

CODE	DIMENSION	HOLE SIZE
Tieplate4x4/5/8	3/8" x 4" x 4"	11/16"
Tieplate4x4/3/4	3/8" x 4" x 4"	13/16"
Tieplate4x4/1	3/8" x 4" x 4"	1 1/16"
Tieplate6x6	1/2" x 6" x 6"	1 1/16"
Tieplate8x8	1/2" x 8" x 8"	1 1/16"



[WD-SP SPLICE PLATE SET]

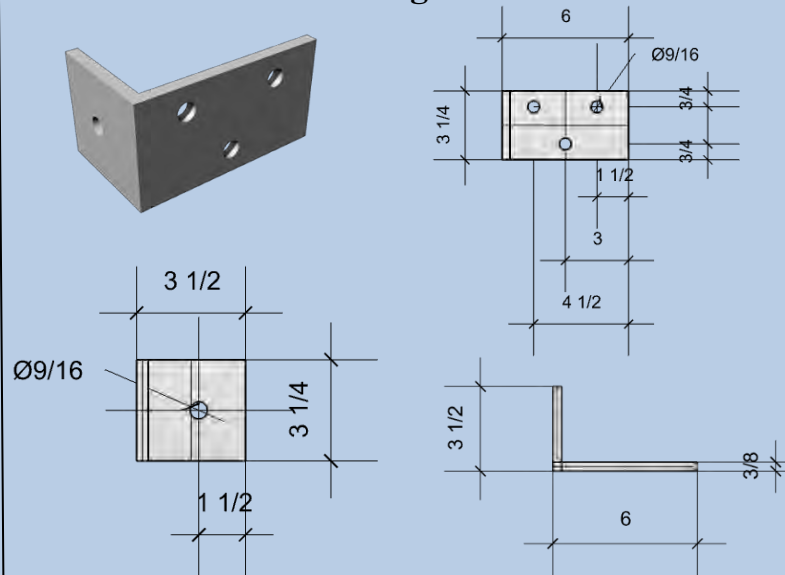
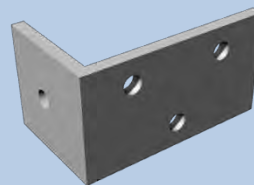


WIRE ROPE STAPLES

Wire rope staples are hdg with a 3/8" shank. They come in 4" and 5" lengths. The opening is 1 1/4".



TieangleB



EYE BOLTS & EYE NUTS

EYEBOLTS		
CODE	DESCRIPTION	THREAD LENGTH
38eye04.5	3/8" x 4.5" hdg eyebolt	2.5"
12eye03.25	1/2" x 3.25" hdg eyebolt	1.5"
12eye06	1/2" x 6" hdg eyebolt	3"
12eye08	1/2" x 8" hdg eyebolt	3"
12eye12	1/2" x 12" hdg eyebolt	3"
58eye04	5/8" x 4" hdg eyebolt	2"
58eye06	5/8" x 6" hdg eyebolt	3"
58eye08	5/8" x 8" hdg eyebolt	3"
58eye12	5/8" x 12" hdg eyebolt	4.5"
58eye15	5/8" x 15" hdg eyebolt	5"
58eye18	5/8" x 18" hdg eyebolt	6"
34eye04.5	3/4" x 4.5" hdg eyebolt	2"
34eye06	3/4" x 6" hdg eyebolt	3"
34eye08	3/4" x 8" hdg eyebolt	3"
34eye12	3/4" x 12" hdg eyebolt	4.5"
34eye15	3/4" x 15" hdg eyebolt	5"
34eye18	3/4" x 18" hdg eyebolt	7"
1eye06	1" x 6" hdg eyebolt	3"
1eye09	1" x 9" hdg eyebolt	4"
1eye12	1" x 12" hdg eyebolt	5.5"
1eye18	1" x 18" hdg eyebolt	6"

SHOULDER EYEBOLTS		
CODE	DESCRIPTION	THREAD LENGTH
12eyesh03.25	1/2" x 3.25" hdg shoulder eyebolt	1.5"
12eyesh06	1/2" x 6" hdg shoulder eyebolt	3"
58eyesh04	5/8" x 4" hdg shoulder eyebolt	2"
58eyesh06	5/8" x 6" hdg shoulder eyebolt	3"
34eyesh04.5	3/4" x 4" hdg shoulder eyebolt	2"
34eyesh06	3/4" x 6" hdg shoulder eyebolt	3"

EYE LAGS		
CODE	DESCRIPTION	THREAD LENGTH
38eyelag02.5	3/8" x 2.5" hdg eye lag	1.75"
12eyelag03.25	1/2" x 3.25" hdg eye lag	2.5"
58eyelag04	5/8" x 4" hdg eye lag	3"
34eyelag04.5	3/4" x 4.5" hdg eye lag	3"



EYE NUTS	
CODE	DESCRIPTION
Eyenu16050G	1/2" hdg eye nut
Eyenu16062G	5/8" hdg eye nut
Eyenu16075G	3/4" hdg eye nut
Eyenu16100G	1" hdg eye nut
Eyenu16125G	1.25" hdg eye nut
Eyenu16150G	1.5" hdg eye nut

*Dimensions are in inches

CHAIN, SHACKLES, SWIVELS & MOORING ANCHORS

We stock many different sizes of mooring chain, anchor pin shackles, and eye to eye swivels. We can get mushroom and pyramid anchors but do not stock them. Lead time is usually quite low, less than a week. All chain, shackles, swivels, and moorings are foreign. Domestic is available with a slight lead time. Any questions just give us a call.

HDG MOORING CHAIN	
CODE	DESCRIPTION
CHN14F	1/4" hdg proof coil chain
CHN516M	5/16" hdg mooring chain
CHN38M	3/8" hdg mooring chain
CHN12M	1/2" hdg mooring chain
CHN58M	5/8" hdg mooring chain
CHN34M	3/4" hdg mooring chain

HDG SHACKLES	
CODE	DESCRIPTION
Shackle516	5/16" galvanized shackle
Shackle38	3/8" galvanized shackle
Shackle716	7/16" galvanized shackle
Shackle12	1/2" galvanized shackle
Shackle58	5/8" galvanized shackle
Shackle34	3/4" galvanized shackle
Shackle1	1" galvanized shackle

HDG SWIVELS	
CODE	DESCRIPTION
Swivel516	5/16" hdg eye-eye swivel
Swivel38	3/8" hdg eye-eye swivel
Swivel12	1/2" hdg eye-eye swivel
Swivel58	5/8" hdg eye-eye swivel
Swivel34	3/4" hdg eye-eye swivel
Swivel1	1" hdg eye-eye swivel

MOORING ANCHORS

Pyramid and mushroom anchors are available and are special order only. We do not stock them. Turn around time is relatively quick. They come in 50# increments. Call for more info.



FASTENERS

We stock many different fasteners. Hex bolts, carriage bolts, timber bolts, lag screws, and deck screws. Bolts are all hot dipped galvanized and deck screws are all stainless steel. Certain size bolts in stainless steel are kept in stock while others would have to be special ordered. An assortment of nuts and washers are available for every size fastener. The next few pages lists most of the different sizes. If you don't see the size you are looking for chances are we have it or we can get it, just ask!



3/8" HDG CARRIAGE BOLTS

CODE	DESCRIPTION	THREAD LENGTH
38CB01	3/8"x1" hdg carriage bolt	fully threaded
38CB02	3/8"x2" hdg carriage bolt	fully threaded
38CB025	3/8"x2.5" hdg carriage bolt	fully threaded
38CB03	3/8"x3" hdg carriage bolt	fully threaded
38CB035	3/8"x3.5 hdg carriage bolt	fully threaded
38CB04	3/8"x4" hdg carriage bolt	fully threaded
38CB045	3/8"x4.5" hdg carriage bolt	fully threaded
38CB05	3/8"x5" hdg carriage bolt	fully threaded
38CB06	3/8"x6" hdg carriage bolt	fully threaded
38CB07	3/8"x7" hdg carriage bolt	6"
38CB08	3/8"x8" hdg carriage bolt	6"
38CB09	3/8"x9" hdg carriage bolt	6"
38CB10	3/8"x10" hdg carriage bolt	6"
38CB12	3/8"x12" hdg carriage bolt	6"

5/16" HDG CARRIAGE BOLTS

CODE	DESCRIPTION	THREAD LENGTH
516CB01.5	5/16" x 1.5" hdg carriage bolt	fully threaded
516CB02	5/16" x 2" hdg carriage bolt	fully threaded
516CB03	5/16" x 3" hdg carriage bolt	fully threaded
516CB04	5/16" x 4" hdg carriage bolt	fully threaded
516CB06	5/16" x 6" hdg carriage bolt	fully threaded

5/16" HDG HEX HEAD LAG SCREWS

CODE	DESCRIPTION	THREAD LENGTH
516L05	5/16" x 5" hdg hex head lag screw	3.5"
516L06	5/16" x 6" hdg hex head lag screw	4.5"

5/16" HDG HEX HEAD BOLTS

CODE	DESCRIPTION	THREAD LENGTH
516HH03.5	5/16"x3.5" hdg hex head bolt	1"
516HH04	5/16"x4" hdg hex head bolt	1"
516HH04.5	5/16"x4.5" hdg hex head bolt	1"
516HH06	5/16"x6" hdg hex head bolt	1"
516HH07	5/16"x7" hdg hex head bolt	1"

3/8" HDG HEX HEAD BOLTS

CODE	DESCRIPTION	THREAD LENGTH
38HH025	3/8"x2.5" hdg hex head bolt	1"
38HH03	3/8"x3" hdg hex head bolt	1"
38HH035	3/8"x3.5" hdg hex head bolt	1"
38HH04	3/8"x4" hdg hex head bolt	1"
38HH045	3/8"x4.5" hdg hex head bolt	1"
38HH05	3/8"x5" hdg hex head bolt	1"
38HH06	3/8"x6" hdg hex head bolt	1"
38HH07	3/8"x7" hdg hex head bolt	6"
38HH08	3/8"x8" hdg hex head bolt	1"
38HH10	3/8"x10" hdg hex head bolt	6"
38HH12	3/8"x12" hdg hex head bolt	6"

3/8" HDG HEX HEAD LAG SCREWS

CODE	DESCRIPTION	THREAD LENGTH
38L015	3/8"x1.5" hdg lag screw	fully threaded
38L02	3/8"x2"hdg lag screw	fully threaded
38L025	3/8"x2.5" hdg lag screw	fully threaded
38L03	3/8"x3" hdg lag screw	fully threaded
38L035	3/8"x3.5" hdg lag screw	3"
38L04	3/8"x4" hdg lag screw	3"
38L04.5	3/8"x4.5" hdg lag screw	3.5"
38L05	3/8"x5" hdg lag screw	4"
38L06	3/8"x6" hdg lag screw	5"
38L07	3/8"x7" hdg lag screw	5"
38L08	3/8"x8" hdg lag screw	5"
38L10	3/8"x10" hdg lag screw	7"
38L12	3/8"x12" hdg lag screw	6"

FASTENERS CONT.



1/2" HDG TIMBER BOLTS

CODE	DESCRIPTION	THREAD LENGTH
12TB06	1/2" x 6" hdg timber bolt	fully threaded
12TB07	1/2" x 7" hdg timber bolt	6"
12TB08	1/2" x 8" hdg timber bolt	6"
12TB10	1/2" x 10" hdg timber bolt	6"
12TB12	1/2" x 12" hdg timber bolt	6"
12TB14	1/2" x 14" hdg timber bolt	6"
12TB16	1/2" x 16" hdg timber bolt	6"

1/2" HDG HEX HEAD BOLTS

CODE	DESCRIPTION	THREAD LENGTH
12HH01.5	1/2" x 1.5" hdg hex head bolt	fully threaded
12HH02	1/2" x 2" hdg hex head bolt	1.5"
12HH02.5	1/2" x 2.5" hdg hex head bolt	1.5"
12HH03	1/2" x 3" hdg hex head bolt	1.5"
12HH03.5	1/2" x 3.5" hdg hex head bolt	1.5"
12HH04	1/2" x 4" hdg hex head bolt	1.5"
12HH04.5	1/2" x 4.5" hdg hex head bolt	1.5"
12HH05	1/2" x 5" hdg hex head bolt	1.5"
12HH06	1/2" x 6" hdg hex head bolt	1.5"
12HH07	1/2" x 7" hdg hex head bolt	6"
12HH08	1/2" x 8" hdg hex head bolt	6"
12HH09	1/2" x 9" hdg hex head bolt	6"
12HH10	1/2" x 10" hdg hex head bolt	6"
12HH12	1/2" x 12" hdg hex head bolt	6"
12HH14	1/2" x 14" hdg hex head bolt	6"
12HH16	1/2" x 16" hdg hex head bolt	6"
12HH18	1/2" x 18" hdg hex head bolt	6"
12HH20	1/2" x 20" hdg hex head bolt	6"

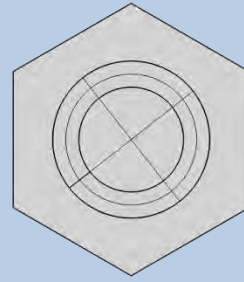
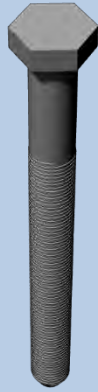
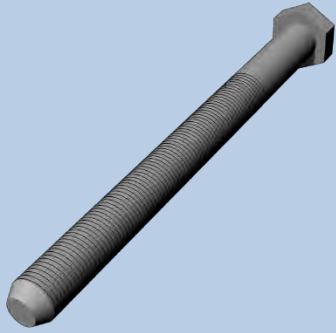
1/2" HDG CARRIAGE BOLTS

CODE	DESCRIPTION	THREAD LENGTH
12CB02	1/2"x2" hdg carriage bolt	fully threaded
12CB025	1/2"x2.5" hdg carriage bolt	fully threaded
12CB03	1/2"x3" hdg carriage bolt	fully threaded
12CB035	1/2"x3.5" hdg carriage bolt	fully threaded
12CB04	1/2"x4" hdg carriage bolt	fully threaded
12CB045	1/2"x4.5" hdg carriage bolt	fully threaded
12CB05	1/2"x5" hdg carriage bolt	fully threaded
12CB06	1/2"x6" hdg carriage bolt	fully threaded
12CB07	1/2"x7" hdg carriage bolt	6"
12CB08	1/2"x8" hdg carriage bolt	6"
12CB09	1/2"x9" hdg carriage bolt	6"
12CB10	1/2"x10" hdg carriage bolt	6"
12CB12	1/2"x12" hdg carriage bolt	6"
12CB14	1/2"x14" hdg carriage bolt	6"
12CB16	1/2"x16" hdg carriage bolt	6"
12CB18	1/2"x18" hdg carriage bolt	6"
12CB20	1/2"x20" hdg carriage bolt	6"

1/2" HDG HEX HEAD LAG SCREWS

CODE	DESCRIPTION	THREAD LENGTH
12L02	1/2" x 2" hdg lag screw	fully threaded
12L025	1/2" x 2.5" hdg lag screw	fully threaded
12L03	1/2" x 3" hdg lag screw	fully threaded
12L035	1/2" x 3.5" hdg lag screw	2.5"
12L04	1/2" x 4" hdg lag screw	3.5"
12L045	1/2" x 4.5" hdg lag screw	3"
12L05	1/2" x 5" hdg lag screw	3.5"
12L06	1/2" x 6" hdg lag screw	5"
12L07	1/2" x 7" hdg lag screw	5"
12L08	1/2" x 8" hdg lag screw	5"
12L09	1/2" x 9" hdg lag screw	6"
12L10	1/2" x 10" hdg lag screw	6"
12L12	1/2" x 12" hdg lag screw	6"
12L14	1/2" x 14" hdg lag screw	6.5"
12L16	1/2" x 16" hdg lag screw	6.5"

FASTENERS CONT.



5/8" HDG TIMBER BOLTS

CODE	DESCRIPTION	THREAD LENGTH
58TB06	5/8"x6" hdg timber head bolt	4.5"
58TB08	5/8"x8" hdg timber head bolt	6"
58TB10	5/8"x10" hdg timber head bolt	6"
58TB12	5/8"x12" hdg timber head bolt	6"
58TB14	5/8"x14" hdg timber head bolt	6"
58TB16	5/8"x16" hdg timber head bolt	6"
58TB18	5/8"x18" hdg timber head bolt	6"
58TB20	5/8"x20" hdg timber head bolt	6"
58TB22	5/8"x22" hdg timber head bolt	6"
58TB24	5/8"x24" hdg timber head bolt	6"
58TB26	5/8"x26" hdg timber head bolt	6"
58TB28	5/8"x28" hdg timber head bolt	6"

5/8" HDG CARRIAGE BOLTS

CODE	DESCRIPTION	THREAD LENGTH
58CB02	5/8"x2" hdg carriage bolt	fully threaded
58CB025	5/8"x2.5" hdg carriage bolt	fully threaded
58CB03	5/8"x3" hdg carriage bolt	fully threaded
58CB04	5/8"x4" hdg carriage bolt	fully threaded
58CB05	5/8"x5" hdg carriage bolt	fully threaded
58CB06	5/8"x6" hdg carriage bolt	fully threaded
58CB07	5/8"x7" hdg carriage bolt	6"
58CB08	5/8"x8" hdg carriage bolt	6"
58CB09	5/8"x9" hdg carriage bolt	6"
58CB10	5/8"x10" hdg carriage bolt	6"
58CB12	5/8"x12" hdg carriage bolt	6"
58CB14	5/8"x14" hdg carriage bolt	6"
58CB16	5/8"x16" hdg carriage bolt	6"
58CB18	5/8"x18" hdg carriage bolt	6"
58CB20	5/8"x20" hdg carriage bolt	6"
58CB22	5/8"x22" hdg carriage bolt	6"
58CB24	5/8"x24" hdg carriage bolt	6"

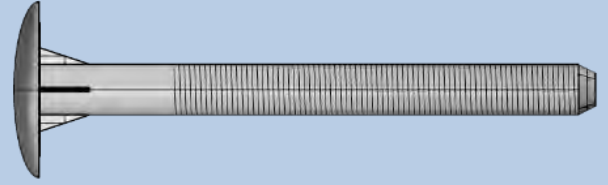
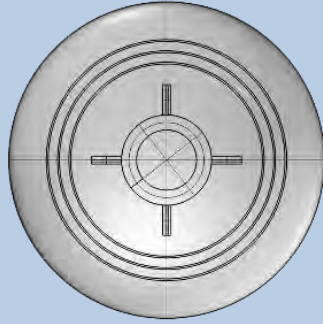
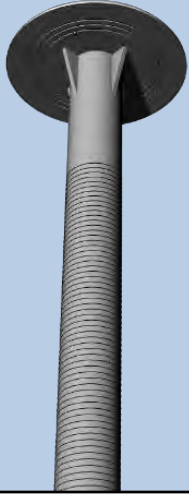
5/8" HDG HEX HEAD BOLTS

CODE	DESCRIPTION	THREAD LENGTH
58HH02	5/8" x 2" hdg hex head bolt	full
58HH02.5	5/8" x 2.5" hdg hex head bolt	1.5"
58HH03	5/8" x 3" hdg hex head bolt	1.5"
58HH04	5/8" x 4" hdg hex head bolt	1.5"
58HH05	5/8" x 5" hdg hex head bolt	1.5"
58HH06	5/8" x 6" hdg hex head bolt	1.75"
58HH07	5/8" x 7" hdg hex head bolt	6"
58HH08	5/8" x 8" hdg hex head bolt	6"
58HH09	5/8" x 9" hdg hex head bolt	6"
58HH10	5/8" x 10" hdg hex head bolt	6"
58HH12	5/8" x 12" hdg hex head bolt	6"
58HH14	5/8" x 14" hdg hex head bolt	6"
58HH16	5/8" x 16" hdg hex head bolt	6"
58HH18	5/8" x 18" hdg hex head bolt	6"
58HH20	5/8" x 20" hdg hex head bolt	6"
58HH22	5/8" x 22" hdg hex head bolt	6"
58HH24	5/8" x 24" hdg hex head bolt	6"

5/8" HDG HEX HEAD LAG SCREWS

CODE	DESCRIPTION	THREAD LENGTH
58L03	5/8" x 3" hdg lag screw	fully threaded
58L04	5/8" x 4" hdg lag screw	3"
58L05	5/8" x 5" hdg lag screw	3"
58L06	5/8" x 6" hdg lag screw	4"
58L07	5/8" x 7" hdg lag screw	5"
58L08	5/8" x 8" hdg lag screw	5"
58L09	5/8" x 9" hdg lag screw	5"
58L10	5/8" x 10" hdg lag screw	6"
58L12	5/8" x 12" hdg lag screw	7"
58L14	5/8" x 14" hdg lag screw	10"
58L16	5/8" x 16" hdg lag screw	6"
58L18	5/8" x 18" had lag screw	

FASTENERS CONT.



3/4" HDG HEX HEAD BOLTS

CODE	DESCRIPTION	THREAD LENGTH
34HH01.5	3/4" x 1.5" hdg hex head bolt	fully threaded
34HH02	3/4" x 2" hdg hex head bolt	fully threaded
34HH02.5	3/4" x 2.5" hdg hex head bolt	fully threaded
34HH03	3/4" x 3" hdg hex head bolt	fully threaded
34HH03.5	3/4" x 3.5" hdg hex head bolt	2.5"
34HH04	3/4" x 4" hdg hex head bolt	2.5"
34HH04.5	3/4" x 4.5" hdg hex head bolt	2.5"
34HH05	3/4" x 5" hdg hex head bolt	2.5"
34HH06	3/4" x 6" hdg hex head bolt	2.5"
34HH07	3/4" x 7" hdg hex head bolt	6"
34HH08	3/4" x 8" hdg hex head bolt	6"
34HH09	3/4" x 9" hdg hex head bolt	6"
34HH10	3/4" x 10" hdg hex head bolt	6"
34HH12	3/4" 12" hdg hex head bolt	6"
34HH14	3/4" x 14" hdg hex head bolt	6"
34HH16	3/4" x 16" hdg hex head bolt	6"
34HH18	3/4" x 18" hdg hex head bolt	6"
34HH20	3/4" x 20" hdg hex head bolt	6"
34HH22	3/4" x 22" hdg hex head bolt	6"
34HH24	3/4" x 24" hdg hex head bolt	6"
34HH26	3/4" x 26" hdg hex head bolt	6"
34HH28	3/4" x 28" hdg hex head bolt	6"
34HH30	3/4" x 30" hdg hex head bolt	6"
34HH32	3/4" x 32" hdg hex head bolt	6"
34HH34	3/4" x 34" hdg hex head bolt	6"
34HH36	3/4" x 36" hdg hex head bolt	6"

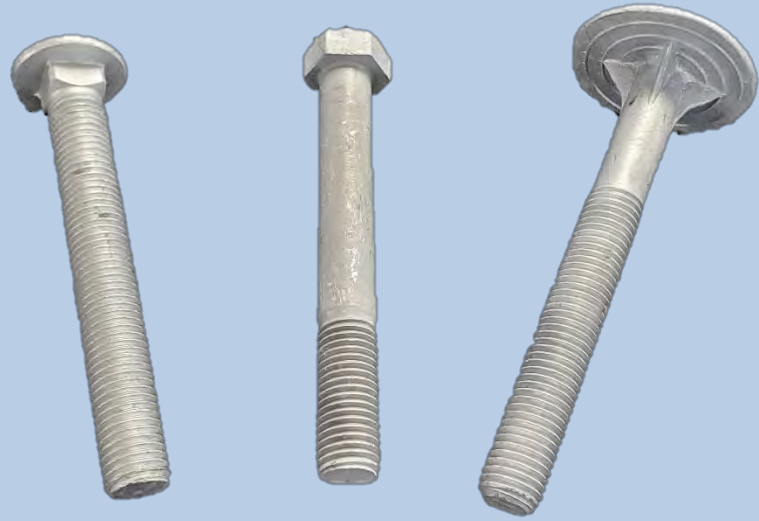
3/4" HDG CARRIAGE BOLTS

CODE	DESCRIPTION	THREAD LENGTH
34CB025	3/4"x2.5" hdg carriage bolt	fully threaded
34CB03	3/4"x3" hdg carriage bolt	fully threaded
34CB035	3/4"x3.5" hdg carriage bolt	fully threaded
34CB04	3/4"x4" hdg carriage bolt	fully threaded
34CB05	3/4"x5" hdg carriage bolt	fully threaded
34CB06	3/4"x6" hdg carriage bolt	fully threaded
34CB07	3/4"x7" hdg carriage bolt	6"
34CB08	3/4"x8" hdg carriage bolt	6"
34CB09	3/4"x9" hdg carriage bolt	6"
34CB10	3/4"x10" hdg carriage bolt	6"
34CB12	3/4"x12" hdg carriage bolt	6"
34CB14	3/4"x14" hdg carriage bolt	6"
34CB16	3/4"x16" hdg carriage bolt	6"
34CB18	3/4"x18" hdg carriage bolt	6"

3/4" HDG TIMBER BOLTS

CODE	DESCRIPTION	THREAD LENGTH
34TB06.5	3/4"x6.5" hdg timber bolt	4"
34TB08	3/4"x8" hdg timber bolt	6"
34TB10	3/4"x10" hdg timber bolt	6"
34TB12	3/4"x12" hdg timber bolt	6"
34TB14	3/4"x14" hdg timber bolt	6"
34TB16	3/4"x16" hdg timber bolt	6"
34TB18	3/4"x18" hdg timber bolt	6"
34TB20	3/4"x20" hdg timber bolt	6"
34TB22	3/4"x22" hdg timber bolt	6"
34TB24	3/4"x24" hdg timber bolt	6"
34TB26	3/4"x26" hdg timber bolt	6"
34TB28	3/4"x28" hdg timber bolt	6"
34TB30	3/4"x30" hdg timber bolt	6"
34TB32	3/4"x32" hdg timber bolt	6"
34TB34	3/4"x34" hdg timber bolt	6"
34TB36	3/4"x36" hdg timber bolt	6"

FASTENERS CONT.



3/4" HDG HEX HEAD LAG SCREWS

CODE	DESCRIPTION	THREAD LENGTH
34L03	3/4" x 3" hdg lag screw	2.25"
34L04	3/4" x 4" hdg lag screw	2.75"
34L05	3/4" x 5" hdg lag screw	3.5"
34L06	3/4" x 6" hdg lag screw	4"
34L07	3/4" x 7" hdg lag screw	5"
34L08	3/4" x 8" hdg lag screw	5.5"
34L09	3/4" x 9" hdg lag screw	6"
34L10	3/4" x 10" hdg lag screw	6"
34L12	3/4" x 12" hdg lag screw	6"
34L14	3/4" x 14" hdg lag screw	6"
34L16	3/4" x 16" hdg lag screw	6.5"
34L18	3/4" x 18" hdg screw	6.5"

1" HDG HEX HEAD BOLTS

CODE	DESCRIPTION	THREAD LENGTH
1HH03	1" x 3" hex head bolt	2"
1HH03.5	1" x 3.5" hex head bolt	2"
1HH04	1" x 4" hex head bolt	2"
1HH05	1" x 5" hex head bolt	2.5"
1hh06	1" x 6" hex head bolt	2.5"
1HH07	1" x 7" hex head bolt	6"
1HH08	1" x 8" hex head bolt	6"
1HH09	1" x 9" hex head bolt	6"
1HH10	1" x 10" hex head bolt	6"
1HH12	1" x 12" hex head bolt	6"
1HH14	1" x 14" hex head bolt	6"
1HH16	1" x 16" hex head bolt	6"
1HH18	1" x 18" hex head bolt	6"
1HH20	1" x 20" hex head bolt	6"
1HH22	1" x 22" hex head bolt	6"
1HH24	1" x 24" hex head bolt	6"
1HH26	1" x 26" hex head bolt	6"
1HH28	1" x 28" hex head bolt	6"
1HH30	1" x 30" hex head bolt	6"
1HH32	1" x 32" hex head bolt	6"
1HH34	1" x 34" hex head bolt	6"
1HH36	1" x 36" hex head bolt	6"
1HH38	1" x 38" hex head bolt	6"
1HH40	1" x 40" hex head bolt	6"
1HH44	1" x 44" hex head bolt	6"

1" HDG TIMBER BOLTS

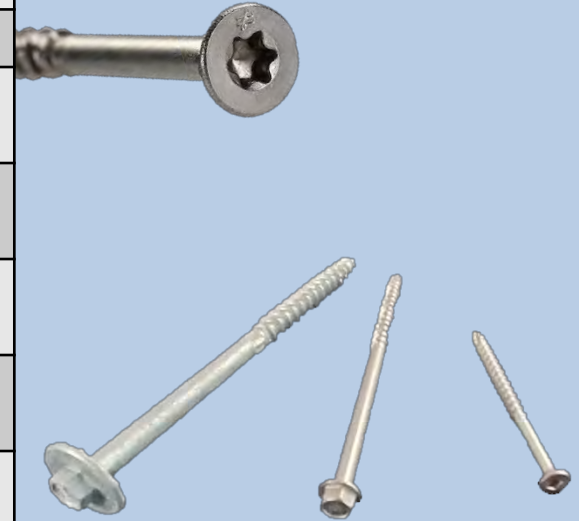
CODE	DESCRIPTION	THREAD LENGTH
1TB12	1" x 12" hdg timber bolt	6"
1TB14	1" x 14" hdg timber bolt	6"
1TB16	1" x 16" hdg timber bolt	6"
1TB18	1" x 18" hdg timber bolt	6"
1TB20	1" x 20" hdg timber bolt	6"
1TB22	1" x 22" hdg timber bolt	6"
1TB24	1" x 24" hdg timber bolt	6"
1TB26	1" x 26" hdg timber bolt	6"
1TB28	1" x 28" hdg timber bolt	6"
1TB30	1" x 30" hdg timber bolt	6"
1TB32	1" x 32" hdg timber bolt	6"
1TB34	1" x 34" hdg timber bolt	6"
1TB36"	1" x 36" hdg timber bolt	6"

STAINLESS STEEL DECK SCREWS

We stock a variety of stainless-steel screws. We sell Simpson strong tie deck screws and timber hex screws. And we can get any Simpson fastener that you need. We also have ss square drive deck screws in 304 & 316 stainless. Sizes and types in stock are listed below. If you don't see what you need just let us know and we can order it for you.

316 SS Torx Drive Deck Screw

CODE	DESCRIPTION	QTY per box	DRIVE
SSDS2T	#10 2" stainless steel torx drive deck screw	2500	T25
SSDS2.5T	#10 2.5" stainless steel torx drive deck screw	1750	T25
SSDS3T	#10 3" stainless steel torx drive deck screw	1750	T25
SSDS3.5T	#10 3.5" stainless steel torx drive deck screw	1000	T25
SSDS4T	#12 4" stainless steel torx drive deck screw	750	T27
SSDS5T	#12 5" stainless steel torx drive deck screw	500	T27



304 SS SQUARE DRIVE DECK SCREW

CODE	DESCRIPTION
SSDS1.25	#8 1.25" stainless steel square drive deck screw
SSDS2	#10 2" stainless steel square drive deck screw
SSDS3	#10 3" stainless steel square drive deck screw
SSDS3.5	#10 3.5" stainless steel square drive deck screw
SSDS4	#12 4" stainless steel square drive deck screw
SSDS5	#12 5" stainless steel square drive deck screw
SSDS6	#14 6" stainless steel square drive deck screw

TIMBER HEX SCREWS

CODE	DESCRIPTION
SDWH4	5/16"x4" 316SS timber hex screw (100 per carton)
SDWH5	5/16"x5" 316SS timber hex screw (100 per carton)
THScrew04	4" hdg timber hex screw
THScrew06	6" hdg timber hex screw
THScrew08	8" hdg timber hex screw
THScrew10	10" hdg timber hex screw
THScrew12	12" hdg timber hex screw

SIMPSON STRONG TIE QUICK DRIVE

We sell Simpson Strong Tie quick drives as well as the screws that it uses. The quick drive comes with a removable extension rod, the quick drive tool itself, and a drill of your choosing that has the correct chuck. Any of the pieces can be purchased individually. The quick drive has a countersinking adjustment and auto loads. Save your back and save your time! Standard screws are 316 3" torx drive stainless steel deck screws. Call with any questions.



<https://www.strongtie.com/products/go/fasteners/quik-drive>

*Dimensions are in inches

THREADED ROD

HDG Threaded Rod	
CODE	DESCRIPTION
Rod12x06	1/2" x 6' hdg threaded rod
Rod12x12	1/2" x 12' hdg threaded rod
Rod58x06	5/8" x 6' hdg threaded rod
Rod58x12	5/8" x 12' hdg threaded rod
Rod34x06	3/4" x 6' hdg threaded rod
Rod34x12	3/4" x 12' hdg threaded rod
Rod78x06	7/8" x 6' hdg threaded rod
Rod78x12	7/8" x 12' hdg threaded rod
Rod1x06	1" x 6' hdg threaded rod
Rod1x12	1" x 12' hdg threaded rod
Rod1.125x06	1 1/8" x 6' hdg threaded rod
Rod1.125x12	1 1/8" x 12' hdg threaded rod
Rod1.25x06	1 1/4" x 6' hdg threaded rod
Rod1.25x12	1 1/4" x 12' hdg threaded rod
Rod1.5x06	1 1/2" x 6' hdg threaded rod
Rod1.5x12	1 1/2" x 12' hdg threaded rod

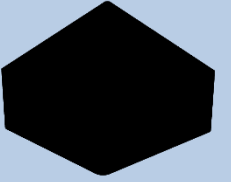
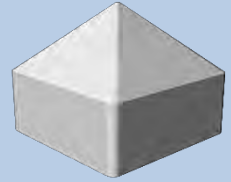
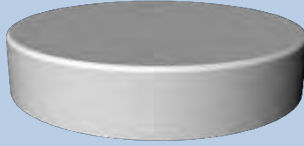
We stock various sizes of threaded rod. 6' and 12' lengths, 6' lengths for stainless. Other sizes are available, but they are special order and will have a lead time. Coupling nuts are also in stock for all diameter rod listed below. We also stock a various size of washers to accommodate your construction needs.

SS Threaded Rod	
CODE	DESCRIPTION
Rod12x06SS	1/2" x 6' SS threaded rod
Rod58x06SS	5/8" x 6' SS threaded rod
Rod34x06SS	3/4" x 6' SS threaded rod



PILING CAPS

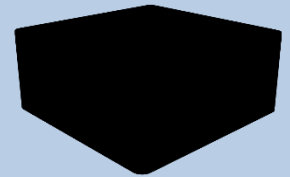
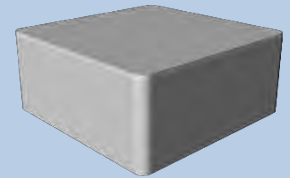
Pile caps come in a variety of sizes and shapes. Pile caps are used to protect the heart of pile from rotting. They also dress up your dock and can deter seagulls from perching. Cone caps also help when throwing lines over pilings. Stocked sizes are listed below while larger sizes are being added all the time. All sizes come in either white or black. If you don't see what you need just call and ask!



PILING CAPS (CONE SHAPED)		
WHITE	DIAMETER	BLACK
PCCSW05	5"	PCCS05
PCCSW055	5.5"	PCCS055
PCCSW06	6"	PCCS06
PCCSW065	6.5"	PCCS065
PCCSW07	7"	PCCS07
PCCSW075	7.5"	PCCS075
PCCSW08	8"	PCCS08
PCCSW085	8.5"	PCCS085
PCCSW09	9"	PCCS09
PCCSW095	9.5"	PCCS095
PCCSW10	10"	PCCS10
PCCSW105	10.5"	PCCS105
PCCSW11	11"	PCCS11
PCCSW115	11.5"	PCCS115
PCCSW12	12"	PCCS12
PCCSW125	12.5"	PCCS125
PCCSW13	13"	PCCS13
PCCSW135	13.5"	PCCS135
PCCSW14	14"	PCCS14
PCCSW145	14.5"	PCCS145
PCCSW15	15"	PCCS15
PCCSW155	15.5"	PCCS155
PCCSW16	16"	PCCS16
PCCSW165	16.5"	PCCS165
PCCSW17	17"	PCCS17
PCCSW175	17.5"	PCCS175
PCCSW18	18"	PCCS18

PILING CAPS (FLAT)		
WHITE	DIAMETER	BLACK
PCCSWF05	5"	PCCSF05
PCCSWF055	5.5"	PCCSF055
PCCSWF06	6"	PCCSF06
PCCSWF065	6.5"	PCCSF065
PCCSWF07	7"	PCCSF07
PCCSWF075	7.5"	PCCSF075
PCCSWF08	8"	PCCSF08
PCCSWF085	8.5"	PCCSF085
PCCSWF09	9"	PCCSF09
PCCSWF095	9.5"	PCCSF095
PCCSWF10	10"	PCCSF10
PCCSWF105	10.5"	PCCSF105
PCCSWF11	11"	PCCSF11
PCCSWF115	11.5"	PCCSF115
PCCSWF12	12"	PCCSF12
PCCSWF125	12.5"	PCCSF125
PCCSWF13	13"	PCCSF13
PCCSWF135	13.5"	PCCSF135
PCCSWF14	14"	PCCSF14
PCCSWF145	14.5"	PCCSF145
PCCSWF15	15"	PCCSF15
PCCSWF155	15.5"	PCCSF155
PCCSWF16	16"	PCCSF16
PCCSWF165	16.5"	PCCSF165
PCCSWF17	17"	PCCSF17
PCCSWF175	17.5"	PCCSF175
PCCSWF18	18"	PCCSF18

PILING CAPS (SQUARE CONE)		
WHITE	DIMENSIONS	BLACK
PCCSQW04	3.5" x 3.5"	PCCSQ04
PCCSQW06	5.5" x 5.5"	PCCSQ06
PCCSQW06	6" x 6"	PCCSQ06
PCCSQW46	3.5" x 5.5"	PCCSQ46
PCCSQW10	10" x 10"	PCCSQ10
PCCSQW12	12" x 12"	PCCSQ12
PCCSQW14	14" x 14"	PCCSQ14
PCCSQW16	16" x 16"	PCCSQ16
PCCSQW18	18" x 18"	PCCSQ18
PCCSQW20	20" x 20"	PCCSQ20



PILING CAPS (SQUARE FLAT)		
WHITE	DIMENSIONS	BLACK
PCCSQWF04	3.5" x 3.5"	PCCSQF04
PCCSQWF06	6" x 6"	PCCSQF06
PCCSQWF75	7.5" x 7.5"	PCCSQF75
PCCSQWF10	8" x 8"	PCCSQF10
PCCSQWF10	10" x 10"	PCCSQWF10
PCCSQWF12	12" x 12"	PCCSQF12

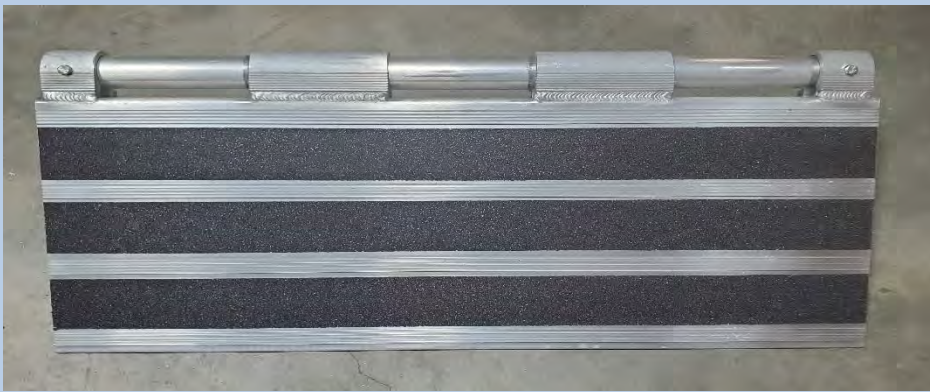
Dimensions are in inches

GANGWAYS

Welded aluminum gangways come in a variety of sizes; available in lengths from 8' to 80' and in widths up to 8'. Lightweight, durable, and affordable, aluminum gangways bring your dock to the next level. Gangways come standard with a nonslip aluminum decking, an upper seawall mounting plate, upper hoops, and rollers on the bottom. Standard gangway sizes are listed below. An additional apron plate for the bottom is also available. Custom gangways are available upon request where anything can be done. Call for a quote!



*Gangway with thru-flow decking



STANDARD GANGWAY SIZES	
3' x 8'	4' x 8'
3' x 10'	4' x 10'
3' x 12'	4' x 12'
3' x 14'	4' x 14'
3' x 16'	4' x 16'
3' x 18'	4' x 18'
3' x 20'	4' x 20'
3' x 22'	4' x 22'
3' x 24'	4' x 24'
3' x 26'	4' x 26'
3' x 28'	4' x 28'
3' x 30'	4' x 30'

PEAVYS & CANTHOOKS

We supply peavy's and cant hook used for moving logs. In the marine industry they are used primarily for handling piles. All come with solid wood handles and standard 4' length. Other lengths are available for order. The only difference between peavy's and cant hooks are the tip. A peavy had a point and a cant hook has a lip for extra bite. It really comes down to personal preference on which to use. Both can preform the same tasks. Any questions give us a call.



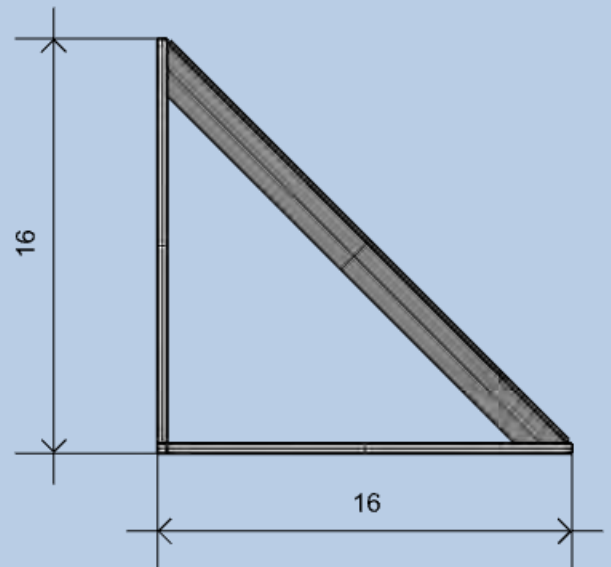
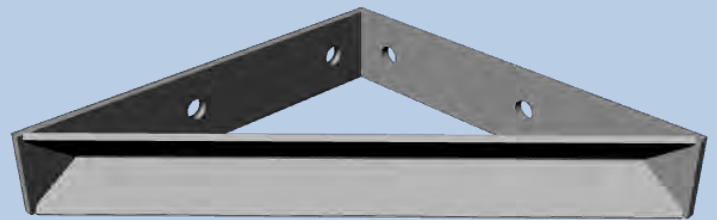
HDG NAILS & SPIKES

We stock hdg nails and spikes. They are sold in 50# boxes. Ring shank and spiral nails are also available upon request.

Code	Length
Nail10	3"
Nail12	3.25"
Nail16	3.5"
Nail20	4"
Nail30	4.5"
Nail40	5"
Nail50	5.5"
Nail60	6"
Spike08	8"
Spike10	10"
Spike12	12"

MONOPILE BRACKET

Monopile brackets are used in conjunction with Pearson Pilings for single pile fixed docks.





DEEP CUT™ UTILITY AUGER

FEATURES

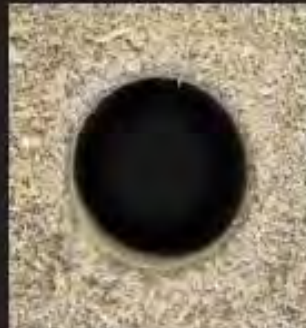
- _ FAST, CLEAN HOLES IN TREATED POLES, RAILROAD TIES, LIVE TREES AND OTHER DEMANDING MATERIALS
- _ UNIQUE TWIST DESIGN & NON-STICK COATING FOR EASY CHIP REMOVAL
- _ HAND-SHARPENED CUTTING EDGES FOR QUICK DRILLING & MINIMAL WANDER

PRODUCT LENGTHS

18 INCHES 24 INCHES

PRODUCT DESCRIPTION

Developed over a decade ago after several prototypes, the WoodOwl Deep Cut™ Utility Auger has become a staple for the Power & Utility industry. Known as a "WoodOwl" in many circles, these bits utilize a precision cut lead screw for effortless starting and pull-through in even the most demanding materials, including utility poles, railroad ties and live trees. The expanded flute design, along with a non-stick coating, allow for easy chip ejection and negligible binding. Deep Cut™ Utility Auger bits are hand-sharpened and wobble-free for the most efficient, straightest and cleanest circular hole you will ever drill.





DEEP CUT™ UTILITY AUGER

PRODUCT SPECS

*Custom lengths can be special ordered

ITEM	PACKAGE	DIAMETER	LENGTH	SHANK	MAX RPM	UPC
08803	Single Tube	3/8"	18"	7/16" QC	1500	841271088034
08804	Single Tube	7/16"	18"	7/16" QC	1500	841271088041
08805	Single Tube	1/2"	18"	7/16" QC	1500	841271088058
08806	Single Tube	9/16"	18"	7/16" QC	1500	841271088065
08807	Single Tube	5/8"	18"	7/16" QC	1500	841271088072
08808	Single Tube	11/16"	18"	7/16" QC	1200	841271088089
08809	Single Tube	3/4"	18"	7/16" QC	1200	841271088096
08810	Single Tube	13/16"	18"	7/16" QC	1200	841271088102
08811	Single Tube	7/8"	18"	7/16" QC	1200	841271088119
08812	Single Tube	15/16"	18"	7/16" QC	1200	841271088126
08813	Single Tube	1"	18"	7/16" QC	1000	841271088133
08814	Single Tube	1-1/16"	18"	7/16" QC	1000	841271088140
08815	Single Tube	1-1/8"	18"	7/16" QC	800	841271088157
08817	Single Tube	1-1/4"	18"	7/16" QC	800	841271088171
08818	Single Tube	1-3/8"	18"	7/16" QC	800	841271088188
08819	Single Tube	1-1/2"	18"	7/16" QC	800	841271088195

QC = Quick Change

ITEM	PACKAGE	DIAMETER	LENGTH	SHANK	MAX RPM	UPC
01003	Single Tube	3/8"	24"	7/16" QC	1500	841271010035
01004	Single Tube	7/16"	24"	7/16" QC	1500	841271010042
01005	Single Tube	1/2"	24"	7/16" QC	1500	841271010059
01006	Single Tube	9/16"	24"	7/16" QC	1500	841271010066
01007	Single Tube	5/8"	24"	7/16" QC	1500	841271010073
01008	Single Tube	11/16"	24"	7/16" QC	1200	841271010080
01009	Single Tube	3/4"	24"	7/16" QC	1200	841271010097
01010	Single Tube	13/16"	24"	7/16" QC	1200	841271010103
01011	Single Tube	7/8"	24"	7/16" QC	1200	841271010110
01012	Single Tube	15/16"	24"	7/16" QC	1200	841271010127
01013	Single Tube	1"	24"	7/16" QC	1000	841271010134
01014	Single Tube	1-1/16"	24"	7/16" QC	1000	841271010141
01015	Single Tube	1-1/8"	24"	7/16" QC	800	841271010158
01017	Single Tube	1-1/4"	24"	7/16" QC	800	841271010172
01018	Single Tube	1-3/8"	24"	7/16" QC	800	841271010189
01019	Single Tube	1-1/2"	24"	7/16" QC	800	841271010196

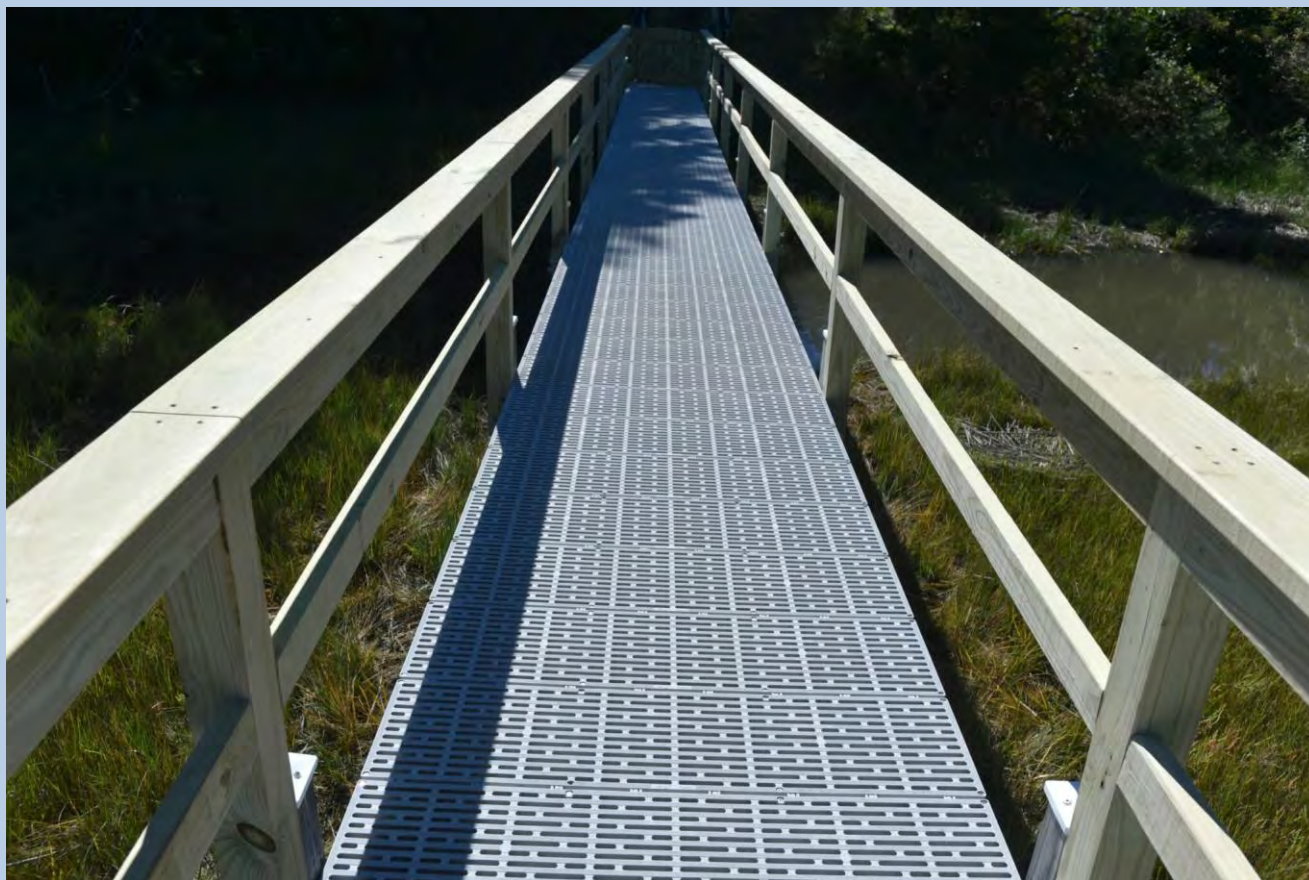
QC = Quick Change

THRUFLOW DECKING



Colours	<input type="checkbox"/> Light Grey <input type="checkbox"/> Seafoam <input type="checkbox"/> Maple
Size	1' x 3' 1' x 4' 1' x 5' 4' x 4' (traditional Legacy)
Thickness	All Panels 1.2" thick
Substructure	3' panel - 18" centers 4' panel - 16" and 24" centers 5' panel - 15" centers
Light Penetration	43%
Load	All Legacy XP 1 x 3, 1 x 4 and 1 x 5 panels exceed 2400 lbs load capacity surpassing the commercial construction requirements
Lightweight	On a per sq. ft. basis ThruFlow™ is 55% lighter than other decking products: 1.6 lbs/ft ²
Ultraviolet Protection	Industry leading UV protection
Material	Base material is reinforced virgin polypropylene utilizing new bonding technology
Safety	360° engineered non-slip surface Exceeds ADA spec's

THRUFLOW DECKING

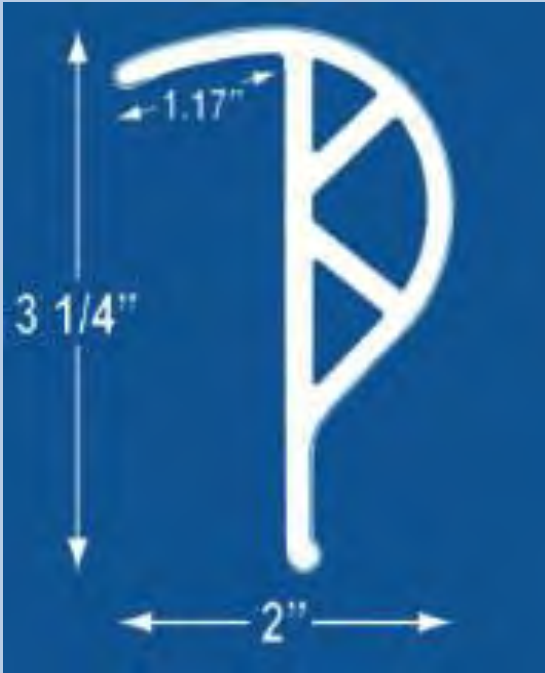


Colors Available		Maple	Light Grey	Seafoam	
Base Material		FRPP - Fibreglass Reinforced Polypropylene			
Panels		Legacy XP	Legacy XP	Legacy XP	
Sizes		feet 1 x 3	1 x 4	1 x 5	
Detail Sizes - (W x L x H)		inch 11.92 x 35.94 x 1.20	11.86 x 47.84 x 1.20	11.97 x 59.9 x 1.20	
		mm 302.7 x 913.0 x 30.5	301.2 x 1216 x 30.5	304.0 x 1521 x 30.5	
Detail Sizes - (W x L x H) Without Tab Option		inch 11.6 x 35.94 x 1.20	11.6 x 47.84 x 1.20	Not Available	
		mm 295.0 x 913.0 x 30.5	295.0 x 1216 x 30.5	Without Tabs	
Support Span		inch 18	16	15	
		mm 457	406	381	
Weight		lbs 5.13	6.2	7.82	
		Kg 1.97	2.64	3.3	
Load Capacity at 0.125" Mid Span Deflection¹		lb _f 360	16" O.C. - 331 24" O.C. - 287	393	
		N 1,599	1472 1276	1,748	
Load Capacity - Peak Load¹		lb _f 2,798	16" O.C. - 2,527 24" O.C. - 1,700	2,587	
		N 12,444	11,240 7,560	11,509	
Concentrated Static Load - Peak Load¹		lb _f 1,198	16" O.C. - 1,408 24" O.C. - 830	1,140	
		N 5,329	6,267 3,692	5,071	
Coefficient of Friction²		0.78			
<i>ASTM D2394-83</i>		0.76			
Thermal Expansion³		1.40 x 10 ⁻⁵			
<i>ASTM D696-03</i>		2.52 x 10 ⁻⁵			
Light Availability⁴		Surface	%		43
		18" Dock Height	%		61
		60" Dock Height	%		84
U/V Light Properties		U/V Stabilized by Additive			
Warranty		Lifetime Limited Warranty			

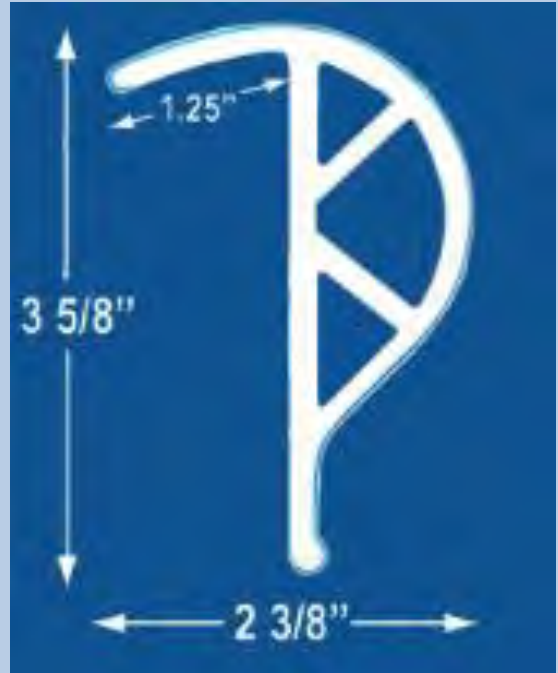
DOCK BUMPER

Below are the four main profiles of dock bumper that we sell. All profiles come in 10' lengths and colors white, black, or grey. We recommend attaching bumper with stainless-steel screws with finish washers or stainless-steel roofing nails; both of which we also carry. We recommend fastening every 6", alternating top and bottom. Dock bumper helps protect your boat as well as gives your dock a nice finished look. Call for more information!

DB5001



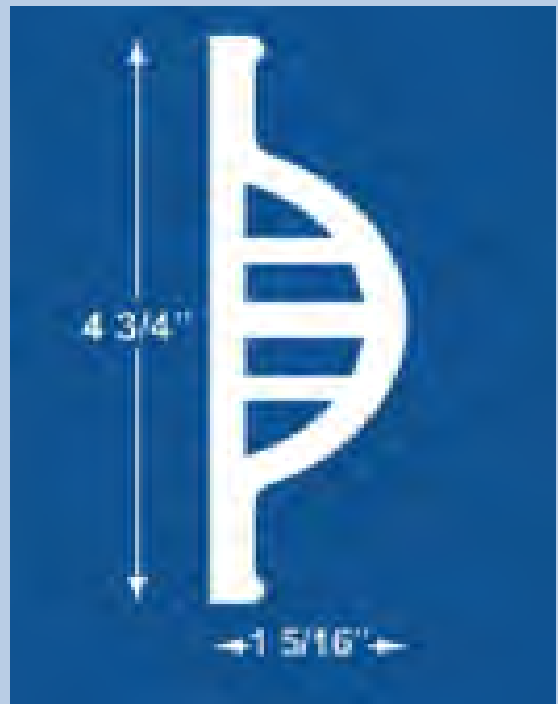
DB5002



DB5007



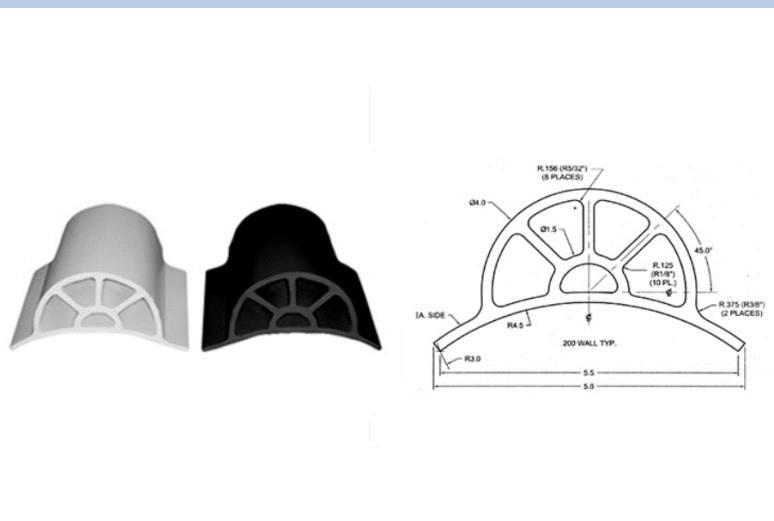
DB5008



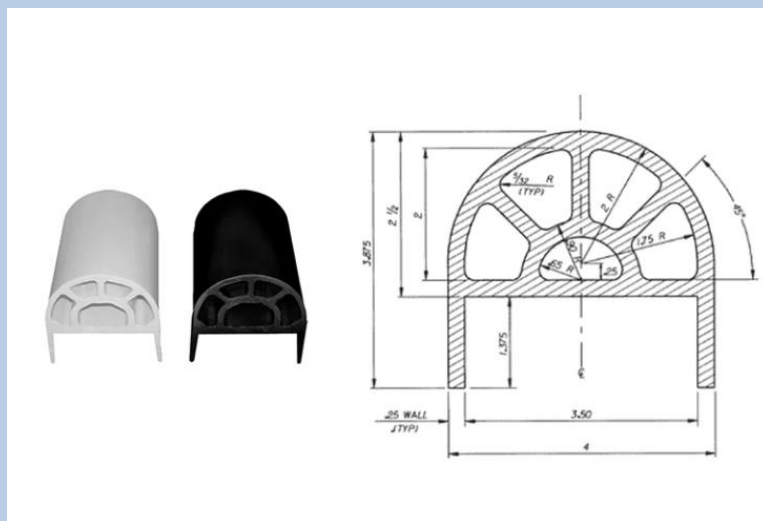
DOCK BUMPER

Below are two specialty bumper that we carry. Both come in 10' lengths. The FA400 is mounted vertically to a piling to protect your boat. The FAWU has many different applications. It is made to mount on a 2" x 4" or a 4" x 4" and used in whatever situation you need. We stock white. Black is available but must be ordered.

DB-FA400W10



DB-FAWU10



LINE HOLDER (LS)

Line holders are ideal for tie off piles to keep your lines dry and in reach. They come in white/black plastic and PT natural wood. Pre-drilled for two screws. Approx. 12" in length.



BUMPER CORNERS



BPC10
Cost effective flexible PVC, 10"x10", matches P-series edging, available in 3 colors - black, gray and white.

BPC400

DON'T SCUFF YOUR BOAT! PROTECT YOUR DOCK!

The advertisement features a blue background with a white L-shaped bumper corner (BPC10) on the left. To its right are three circular color swatches: white, gray, and black. Below these is a circular logo with the text "DON'T SCUFF YOUR BOAT! PROTECT YOUR DOCK!". In the center is an inset photo of a wooden boat deck with a white bumper corner. To the right of the inset is another L-shaped bumper corner (BPC400) in black, with three circular color swatches: gray, black, and white.

DOCK WHEELS



DOCK WHEEL ASSEMBLY – 10" DIAMETER
ITEM NO. 04-01 (Corner Mount)
ITEM NO. 04-01S (Side Mount)

Bracket has four 3/8" mounting holes and the axle is 1 7/8" diameter which assures maximum strength under severe conditions. The bracket is designed for corner or side mounting.

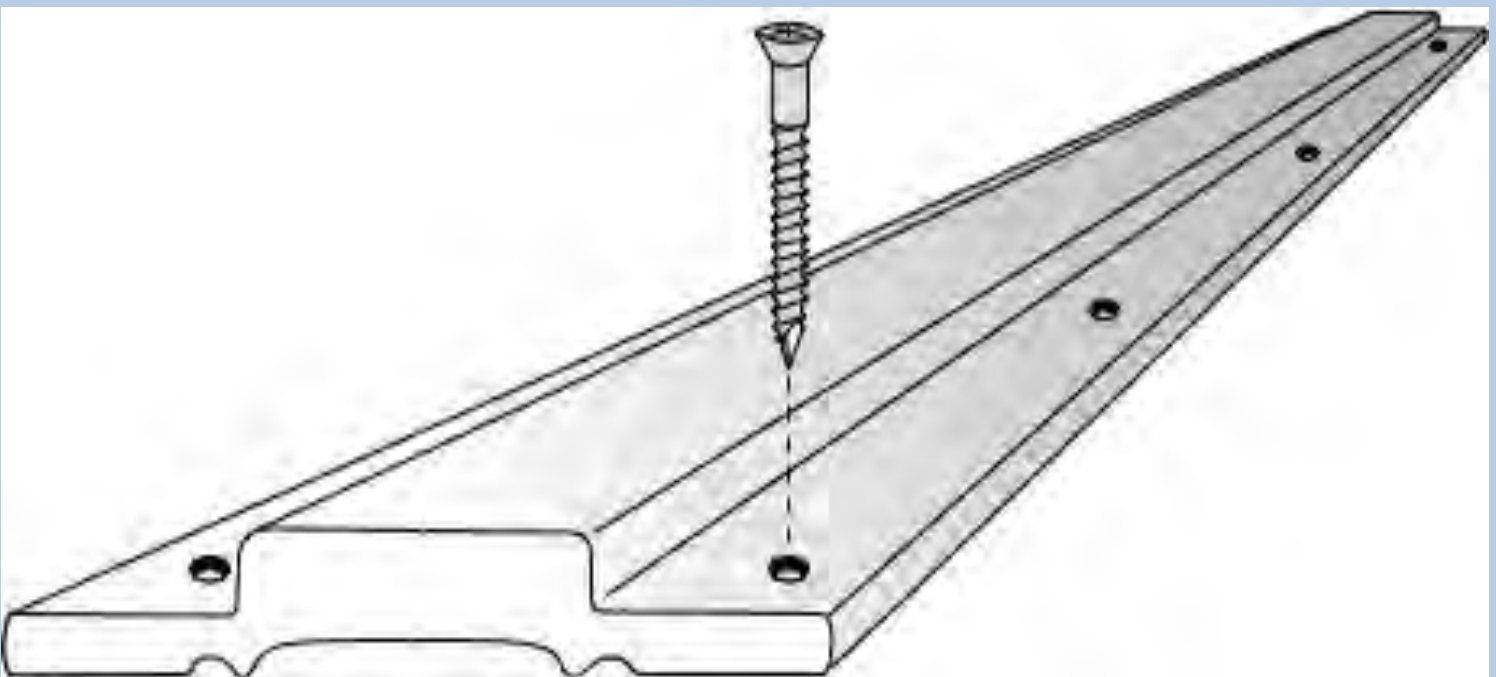
DOCK WHEEL ASSEMBLY – 14" DIAMETER
ITEM NO. 4-02

Bracket has eight 3/8" mounting holes and the axle is 2 7/8" diameter which assures maximum strength under severe conditions. The bracket is designed for corner mounting only. A bracket for side mounting is available with a slight up-charge.

*Dimensions are in inches

DB PILING GUARD

Piling-Guard strips are a low-cost way to protect dock pilings from damage. They are made from a hi-tech polymer resin that has a very high wear resistance. They also resist wear and tear from the sun and elements. Piling-Guard come in 8' strips with pre punched holes for fastening. Profile is 3.5" x .5" bump out.



HELIX MOORING ANCHORS

HELIX ROUND SHAFT ANCHORS				
Model#	Helix Diameter	Shaft	Soil/Bottom	Approx. Break-out Force
H0454	4"	3/4" x 54"	Firm sand clay mix	800#
H0648	6"	3/4" x 48"	Firm sand clay mix	1500#
H0666	6"	3/4" x 66"	Firm sand clay mix	1800#
H0848	8"	1" x 48"	Firm sand clay mix	2500#
H0866	8"	1" x 66"	Firm sand clay mix	3000#
H1066	10"	1 1/4" x 66"	Firm sand clay mix	3500#





permaport *Xpress*™

Drive-on, glide-off
personal watercraft
docking system



The Permaport Xpress makes your favorite watersports more accessible than ever before!

Make Waves with the permaport *Xpress*™



Built with increased length and buoyancy to fit all major brands of PWC's



Can be mounted to all floating and fixed docks*

*Corresponding hardware kit available for all standard mounting applications



Sturdy, noise-reducing mounting hardware eliminates metal-to-metal contact



Commercial wheels can accommodate several different hull designs



Xpress Step and Xpress Walk add extra walking space to the boarding area



For residential & commercial use; available in textured granite



(800) 531-4734
www.cellofoam.com



Rotationally
Molded &
Foam Filled
Just like our



cellofoam[®]

permalaunch[®]



Rotationally molded, foam filled launch and retrieval docking system for kayaks and canoes

PRODUCT FEATURES

- Mounts to any fixed or floating dock using easy to install hardware with quiet components for less noise in wave activity
- Available in grey or tan granite with a slip resistant surface feature
- Underwater crossbeams cradle vessel for added stability allowing passengers to easily & safely board and disembark
- Paddle through design allowing float on and float off from either end of launch
- Custom designed vertical posts and guide rails for paddle pull action
- Adjustable width between floats accommodates wider vessels
- Minimal foot print in the water
- Commercial or residential applications

Contact **Cellofoam** at 800-531-4734

www.cellofoam.com

*Dimensions are in inches